



MAXX ICE

SERVICE, INSTALLATION, AND INSTRUCTION MANUAL MANUEL D'ENTRETIEN, D'INSTALLATION ET D'INSTRUCTIONS MANUAL DE INSTRUCCIONES, INSTALACIÓN Y MANTENIMIENTO



MIM50 / MIM50P

MIM50P-O

MIM50V

MIM50-O

For **AUTHORIZED PARTS** or **TECHNICAL SERVICE**, please contact:
Pour les **PIÈCES AUTORISÉES** ou un **SERVICE TECHNIQUE**, veuillez composer le :
Para **PIEZAS AUTORIZADAS** o **SERVICIO TÉCNICO**, llame al
1-877-368-2797 or | ou visiter le site | o visite Service@MaxxHelp.com

3355 Enterprise Avenue, Suite 160, Fort Lauderdale, FL 33331 USA
Phone | Téléphone | Teléfono: (954) 202-7419 • Website | Site Web | Sitio Web: MaximumFoodService.com

MIM50, MIM50P
MIM50P-O, MIM50V, MIM50-O
SELF CONTAINED ICE MAKER | MACHINE À GLAÇONS AUTONOME |
MÁQUINA AUTÓNOMA PARA HACER HIELO
PLEASE READ CAREFULLY | VEUILLEZ LIRE AVEC SOIN | POR FAVOR, LEER CON CUIDADO

Table of Contents

ICE MAKER SAFETY	1
IMPORTANT SAFEGUARDS.....	1
TECHNICAL INFORMATION	3
INTRODUCTION	3
COMPONENT LOCATIONS	4
ICE MAKER INSTALLATION	5
Remove Packaging Materials.....	5
Cleaning Before Use	5
Installation Clearances	5
Electrical Requirements	6
Recommended Grounding Method	6
Leveling The Ice Maker.....	6
Reversing The Door Swing For MIM50-O and MIM50V.....	7
Reversing The Door Swing For MIM50, MIM50P and MIM50P-O	8
Water Supply.....	8
Tools Required	8
Drain	9
INSTALLATION TYPES	10
Mobile Installation	10
Enclosed Installation	10
Built-in installation	10
OPERATION	11
Final Check List Prior To Operation	11
Operating Method.....	11
How The Ice Maker Makes Ice	12
How The Ice Maker Uses The Water	12
MIM50P and MIM50P-O DRAIN SYSTEM OPERATION	12
How the drain system operates when water is pumped out.....	12
Drain Pump Operation	12
Normal Sounds.....	14
Preparing The Ice Maker For Long Storage.....	14
CLEANING AND MAINTENANCE	15
What Shouldn't Be Done?	15
What Parts Should Be Kept Clean?	15
Exterior Cleaning	15
Interior Cleaning.....	15
Condenser Cleaning	16
Water Distribution Tube Cleaning.....	16
Ice-Making System Cleaning and Sanitizing	16
CONTROL PANEL	17
Description Of LEDs And Buttons.....	17
MAJOR FUNCTIONS.....	18
TROUBLE SHOOTING.....	18

SAVE THESE INSTRUCTIONS

ICE MAKER SAFETY

Your safety and the safety of others are very important.
We have provided many important safety messages in this manual and on your appliance.
Always read and obey all safety messages.



This is the Safety Alert Symbol. This symbol alerts you to potential hazards that can injure or cause death to you and others. All safety messages will follow the Safety Alert Symbol and either the words “DANGER”, “WARNING” OR “CAUTION”.

DANGER

DANGER means that failure to heed this safety statement may result in severe personal injury or death.

WARNING

WARNING means that failure to heed this safety statement may result in extensive product damage, serious personal injury or death.

CAUTION

CAUTION means that failure to heed this safety statement may result in minor or moderate personal injury, or property or equipment damage.

All safety messages will alert you to what the potential hazard is, tell you how to reduce the chance of injury, and let you know what can happen if the instructions are not followed.

WARNING

To reduce the risk of fire, electric shock or injury when using your ice maker, follows these basic precautions:

- Plug into grounded 3-prong outlet.
- Do not remove grounding prong.
- Do not use an adapter.
- Do not use an extension cord.
- Disconnect power before cleaning.
- Disconnect power before servicing.
- Replace all panels before operating.
- Use two or more people to move & install ice maker.

IMPORTANT SAFEGUARDS



Before the ice maker is used, it must be properly positioned and installed as described in this manual, read the manual carefully. Maxx Ice strongly recommends that you have a professional install your new ice maker. The warranty may be affected or voided by an incorrect installation. To reduce the risk of fire, electrical shock or injury when using the ice maker, follow basic precautions, including the following:

- Plug into a grounded 3-prong outlet; do not remove grounding prong, do not use an adapter, and do not use an extension cord.
- It is recommended that a separate circuit, serving only for your ice maker, be provided.
- Use receptacles that cannot be turned off by a switch or pull chain.
- Do not connect or disconnect the electric plug when your hands are wet.
- Never unplug the ice maker by pulling on the power cord. Always grip the plug firmly and pull straight out from the outlet.
- Never clean ice maker parts with flammable fluids. Do not store or use gasoline or other flammable vapors and liquids in the vicinity of this or any other appliances. The fumes can create a fire hazard or explosion.
- Before proceeding with cleaning and maintenance operations, make sure the power line of the unit is disconnected and the water line is shutoff.
- Before operating, pull all panels back into place.
- Never allow children to operate, play with or crawl inside the ice maker.
- Do not touch the evaporator with your hand when the ice maker is operating.
- Unplug the ice maker or disconnect power before cleaning or servicing. Failure to do so can result in electrical shock or death. Do not attempt to repair or replace any part of your ice maker unless it is specifically recommended in this manual. All other servicing should be referred to a qualified technician.

WARNING

- Use two or more people to move and install ice maker. Failure to do so can result in back or other injury.
- **Never install or operate the unit behind closed doors.** To ensure proper ventilation for your ice maker, the front of the unit must be completely unobstructed. Choose a well-ventilated area with an ambient temperature range of between 50°F (10°C) to 99°F (37°C). This unit **MUST** be installed in an area protected from the elements, such as wind, rain, water spray or drips.
- The ice maker should not be located next to ovens, grills or other sources of high heat.
- The ice maker must be installed with all electrical and water connections in accordance with state and local codes. A standard electrical supply, properly grounded in accordance with the National Electrical Code and local codes and ordinances, is required.
- Do not kink or pinch the power supply cord between the ice maker and cabinet.
- The fuse (or circuit breaker) size is rated at 15 amperes.
- It is important for the ice maker to be leveled in order to work properly. Otherwise water may not flow properly through the evaporator (ice mold). The ice production will be less than normal. You may need to make several adjustments to level it.
- All installations must be in accordance with local plumbing code requirements.
- Make certain that hoses are not pinched, kinked or damaged during installation.
- Check for leaks after water line is connected.
- Although the unit has been tested and cleaned at the factory, due to long-term transit and storage, the first batch of cubes must be discarded.
- Remove the packing materials and clean the ice maker before using.
- Turn on the water supply tap before switching on the ice maker. Never turn the water supply tap off when the ice maker is working.
- Except to take ice from the unit, keep the door closed in order to reduce ice melting and to promote proper ice formation.
- If the ice maker will not be used for a long time, before the next use it must be thoroughly cleaned. Follow carefully, instructions provided for cleaning. Do not leave any sanitizing solution inside the ice maker after cleaning. **DO NOT** use solvent-based cleaning agents or abrasives on the interior. These cleaners may transmit taste to the ice cubes, or damage or discolor the interior. The ice machine cleaner contains acids. Do not use or mix with any other solvent-based cleaners products. Use rubber gloves to protect hands. Carefully read the safety instructions on the container of the ice machine cleaner.
- Do not use the apparatus other than for its intended purpose.
- Do not touch the condenser fins, they are sharp and can be easily damaged.

Electrical Connection

Do not, under any circumstances, cut or remove the third (ground) prong from the power cord. For personal safety, this appliance must be properly grounded. The power cord of this appliance is equipped with a 3-prong grounding plug that mates with a standard 3-prong grounding wall outlet to minimize the possibility of electric shock hazard from the appliance. Have the wall outlet and circuit checked by a qualified electrician to make sure the outlet is properly grounded. When a standard 2-prong wall outlet is encountered, it is your responsibility and obligation to have it replaced with a properly grounded 3-prong wall outlet. The ice maker should always be plugged into its own dedicated electrical outlet which has a voltage rating that matches the rating label on the appliance. This provides the best performance and also prevents overloading house wiring circuits which could cause a fire hazard from overheated wires. Never unplug your ice maker by pulling on the power cord. Always grip the plug firmly and pull straight out from the outlet. Repair or replace immediately all power cords that have become frayed or otherwise damaged. Do not use a cord that shows cracks or abrasion damage along its length or at either end. When moving the ice maker, be careful not to damage the power cord.

Extension Cord

Because of potential safety hazards under certain conditions, it is strongly recommended that you do not use an extension cord with this ice maker.

TECHNICAL INFORMATION

Model:	MIM50 / MIM50V	MIM50-O	MIM50P	MIM50P-O
Description	50lb Indoor Ice Maker	50lb Outdoor Ice Maker	50lb Indoor Ice Maker	50lb Outdoor Ice Maker
Voltage:	120V/60Hz/1Ph, 220V/50Hz/1Ph	120V/60Hz/1Ph, 220V/50Hz/1Ph	120V/60Hz/1Ph, 220V/50Hz/1Ph	120V/60Hz/1Ph, 220V/50Hz/1Ph
Amps (ice making/ harvesting):	3.0 / 4.0	3.0 / 4.0	3.0 / 4.0	3.0 / 4.0
Ice Type:	Slab Cube	Slab Cube	Slab Cube	Slab Cube
Ice Cube Size:	7/8" x 7/8" x 7/8"	7/8" x 7/8" x 7/8"	7/8" x 7/8" x 7/8"	7/8" x 7/8" x 7/8"
Power Consumption:	12.2kWh / 100lbs of ice	12.2kWh / 100lbs of ice	12.2kWh / 100lbs of ice	12.2kWh / 100lbs of ice
Unit weight:	84 lbs / 38 kg	83 lbs / 38 kg	86 lbs / 39 kg	86 lbs / 39 kg
Maximum ice storage:	25 lbs	25 lbs	25 lbs	25 lbs
Ice-making capacity:	50 lbs/day*	50 lbs/day*	50 lbs/day*	50 lbs/day*
Unit Dimensions:	14 ⁵ / ₈ " x 23 ⁵ / ₈ " x 33"	14 ⁵ / ₈ " x 23 ⁵ / ₈ " x 33"	14 ⁵ / ₈ " x 23 ⁵ / ₈ " x 33"	14 ⁵ / ₈ " x 23 ⁵ / ₈ " x 33"
Internal blue LED light when door is open	No	No	Yes	Yes
Drain Pump	No	No	Yes	Yes

*The actual quantity of ice produced per day can vary with room and water conditions.

The technical data and performance index listed above is subject to change and should be used for reference only.

INTRODUCTION

The MaxxIce MIM50 ice maker series produce hard, gourmet cube ice and offers convenience for homeowners, restaurants and hotel guests. An insulated ice storage bin is built in.

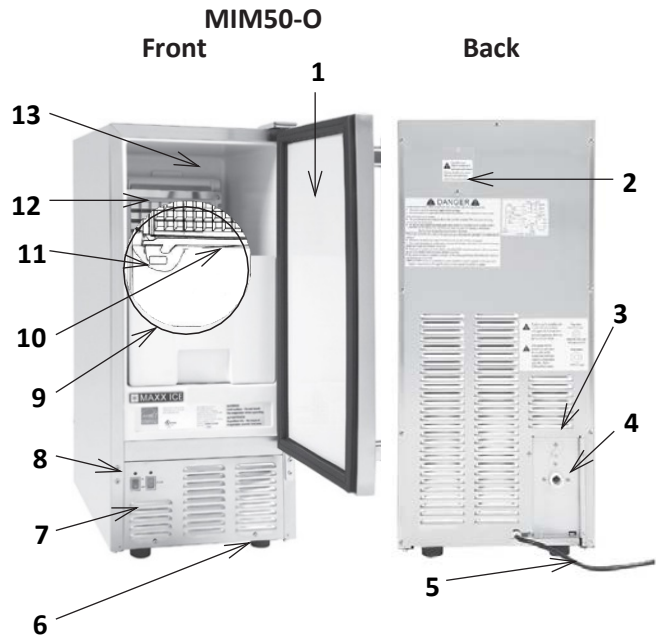
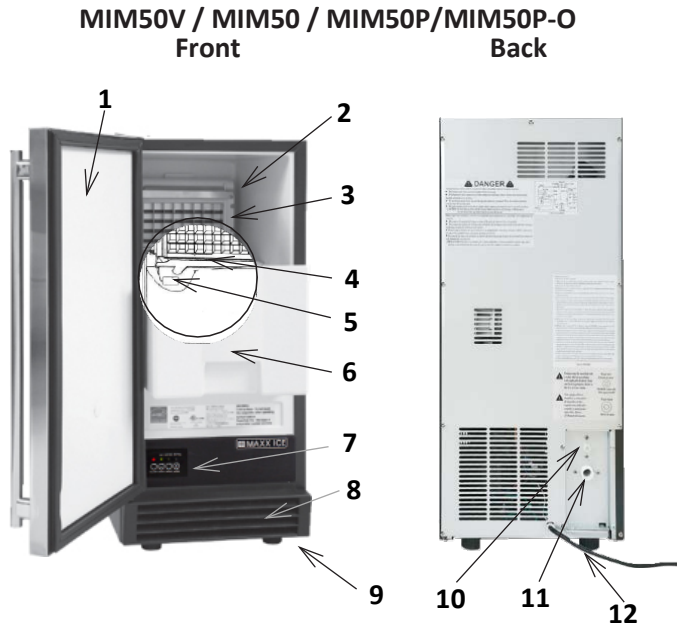
- A cold water supply is needed.
- A gravity drain is needed.

This user's manual is intended as a resource for persons installing, using and servicing the MIM50 series. It contains valuable information on safety and maintenance. MaxxIce strongly recommends that this manual be kept in a place where it can be accessed when needed.

The MIM50 series is designed and manufactured according to the highest standards of safety and performance. It meets or exceeds the safety standard of UL563 and sanitation standard NSF12.

MaxxIce assumes no liability or responsibility of any kind for products manufactured by MaxxIce that have been altered in any way, including the use of any parts and/or other components not specifically approved by MaxxIce Warranty & Parts. MaxxIce reserves the right to make design changes and/or improvements at any time. Specifications and designs are subject to change without notice.

COMPONENT LOCATIONS



MIM50V / MIM50 / MIM50P/MIM50P-O				MIM50-O			
ITEM #	ENGLISH	FRANÇAIS	ESPAÑOL	ITEM #	ENGLISH	FRANÇAIS	ESPAÑOL
1	Door	Porte	Puerta	1	Door	Porte	Puerta
2	Water Distribution Tube	Tube de distribution d'eau	Tubo de distribución de agua	2	Control Panel (Behind access panel)	Panneau de configuration (derrière le panneau d'accès)	Panel de control (detrás del panel de acceso)
3	Evaporator (ice mold)	Évaporateur (moule à glace)	Evaporador (molde de hielo)	3	Water Inlet	Arrivée d'eau	Entrada de agua
4	Water Trough	Auge d'eau	Abrevadero	4	Drain Outlet	Drain Outlet	Drenaje de salida
5	Float	Flotte	Flotador	5	Power Cord	Cordon d'alimentation	Cable de alimentación
6	Ice Storage Bin	Bac à glaçons	Compartimiento de almacenamiento de hielo	6	Caster	Roulette	Castor
7	Control Panel	Panneau de contrôle	Panel de control	7	Front Louver Panel	Panneau de louveres avant	Panel frontal de la persiana
8	Front Louver Panel	Panneau de louveres avant	Panel frontal de la persiana	8	On/Off/Clean Buttons	Boutons On / Off / Clean	Botones de encendido / apagado / limpieza
9	Caster	Roulette	Castor	9	Ice Storage Bin	Bac à glaçons	Compartimiento de almacenamiento de hielo
10	Water Inlet	Arrivée d'eau	Entrada de agua	10	Water Trough	Auge d'eau	Abrevadero
11	Drain Outlet	Drain Outlet	Drenaje de salida	11	Float	Flotte	Flotador
12	Power Cord	Cordon d'alimentation	Cable de alimentación	12	Evaporator (ice mold)	Évaporateur (moule à glace)	Evaporador (molde de hielo)
				13	Water Distribution Tube	Tube de distribution d'eau	Tubo de distribución de agua

ICE MAKER INSTALLATION

WARNING

Excessive Weight Hazard

Use two or more people to move and install ice maker.
Failure to do so can result in back or other injury.

Remove Packaging Materials

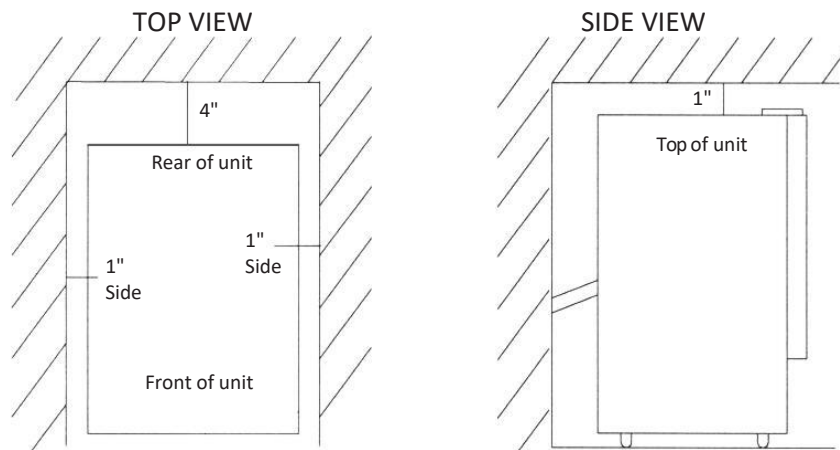
IMPORTANT: Do not remove any permanent instruction labels or the data label on your ice maker.
Remove tape and glue from your ice maker before using.

- To remove any remaining tape or glue, rub the area briskly with your thumb. Tape or glue residue can also be easily removed by rubbing a small amount of liquid dish soap over the adhesive with your fingers. Wipe with warm water and dry.
- Do not use sharp instruments, rubbing alcohol, flammable fluids, or abrasive cleaners to remove tape or glue. These products can damage the surface of your ice maker.

Cleaning Before Use

After you remove all of the packaging materials, clean the inside of your ice maker before using it. See the "Interior Cleaning" in the Cleaning and Maintenance section.

Installation Clearances



- This ice maker should be properly installed by qualified personnel.
- To ensure proper ventilation for your ice maker, the front of the unit must be completely unobstructed.
- When installing the ice maker under a counter, follow the recommended spacing dimensions shown. Allow at least 4" (102mm) clearance at rear, and 1" (25mm) at top and sides for proper air circulation. The installation should allow the ice maker to be pulled forward for servicing if necessary.
- Choose a well ventilated area with an ambient temperature range of between 50°F (10°C) to 99°F (37°C). This unit MUST be installed in an area protected from the elements, such as wind, rain, water spray or drips.
- The unit should not be located next to ovens, grills or other high heat sources.
- Installation of the ice maker requires a cold water supply inlet of ¼" (6.35mm) soft copper tubing with a shut-off valve.
- The ice maker requires a continuous water supply with a minimum pressure of 15 psi (1 bar or 103 kPa) and a static pressure not to exceed 75 psi (5.2 bar or 517 kPa). The temperature of the water feeding into the ice maker should be between 40°F (4°C) and 90°F (32°C) for proper operation.

WARNING

Normal operating ambient temperature should be between 50°F (10°C) to 99°F (37°C).

Normal operating water temperature should be between 40°F (4°C) and 90°F (32°C).

Operation of the ice maker for extended periods outside of these normal temperature ranges may affect production capacity.

- **It is strongly recommended that a water filter be used.** A filter, if it is of the proper type, can remove taste and odors as well as particles. Some water is very hard, and softened water may result in white, mushy cubes that stick together. Deionized water is not recommended.
- The ice maker must be installed with all electrical and water connections in accordance with all state and local codes.
- The unit should be located on a firm and level surface. It is important for the ice maker to be leveled in order to work properly. If needed, you can adjust the height of the ice maker by revolving the caster. See the “*Leveling the Ice Maker*” section.
- A standard electrical supply (115V AC only, 60Hz, 15A), properly grounded in accordance with the National Electrical Code and local codes and ordinances, is required.

IMPORTANT: Do not kink or pinch the power supply cord between the icemaker and wall or cabinet.

Electrical Requirements**DANGER****Electrical Shock Hazard**

Plug into a grounded 3-prong outlet. Never remove the ground prong from the plug. Never use an adapter. Never use an extension cord.

Failure to follow these instructions can result in fire, electrical shock or death.

It is important to make sure you have the proper electrical connection:

A standard electrical supply, properly grounded in accordance with the National Electrical Code and local codes and ordinances, is required. The ice maker should always be plugged into its own dedicated electrical outlet. It is recommended that a separate circuit, serving only your ice maker, be provided. Use receptacles that cannot be turned off by a switch or pull chain. The fuse (or circuit breaker) size should be 15 amperes.

Recommended Grounding Method

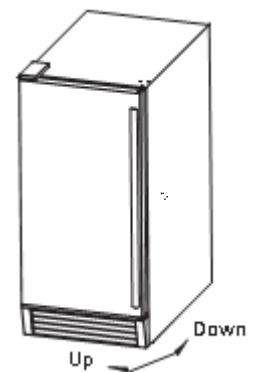
For your personal safety, this appliance must be grounded. This appliance is equipped with a power supply cord having a 3-prong grounding plug. To minimize possible shock hazard, the cord must be plugged into a mating 3-pronged and grounding-type wall receptacle, grounded in accordance with the National Electrical Code and local codes and ordinances. If a mating wall receptacle is not available, it is the personal responsibility of the customer to have a properly grounded, 3-prong wall receptacle installed by a qualified electrician.

Leveling The Ice Maker

It is important for the ice maker to be leveled in order to work properly. Otherwise water will not flow properly through the evaporator (ice mold). The ice production will be less than normal, and may be noisy. If you find that the surface is not level, rotate the casters until the ice maker becomes level. You may need to make several adjustments to level it. We recommend using a carpenter’s level to check the ice maker.

1. Place a carpenter’s level on top of the unit to see if the ice maker is level from front to back and side to side.
2. Adjust the height of the casters as follows:
Turn the leveling casters clockwise to lower that side of the ice maker.
Turn the leveling casters counterclockwise to raise that side of the ice maker.

You will find that the casters make it easy for one person to move the ice maker. This is useful for cleaning and sanitizing the surface on which the ice maker is installed because it allows you to move the unit and have easy access to the surface to be cleaned.



Reversing The Door Swing For MIM50-O and MIM50V

Tools needed: Flathead screwdriver, Phillips screwdriver

NOTE: Before you begin, unplug the ice maker or disconnect power.

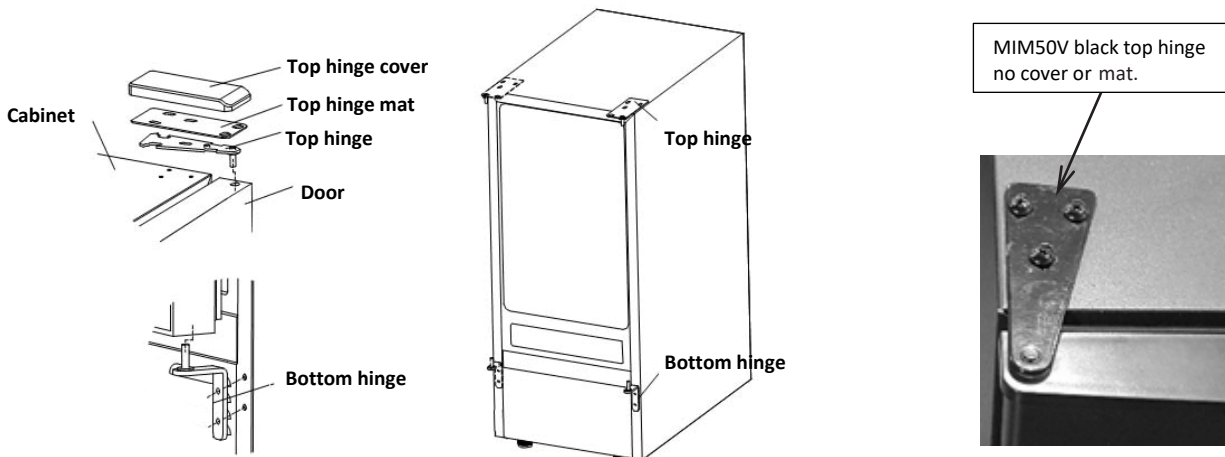
To Remove Door From Hinges

1. Remove the top hinge cover.
2. Using a Phillips screwdriver, remove the screws, remove the top hinge mat and top hinge. Keep the parts together and set them aside. *(The MIM50V has a black hinge and no cover or mat, but is removed same way as MIM50-O top hinge.)*
3. Lift the door off of the bottom hinge and set the door aside.

To Replace Door On Hinges

1. Using a flathead screwdriver, remove the plug buttons from the screw holes opposite the door hinges, top and bottom. Set aside.
2. Remove the front louver. Set aside.
3. Remove the bottom hinge and place it on the opposite side at the bottom of the door. *(The MIM50V bottom hinge removed and installed same way as MIM50-O bottom hinge.)*
4. Position the door on the bottom hinge.
5. Align the door on the bottom hinge and replace the top hinge and top hinge mat.
6. Replace top hinge cover.
7. Push the plug buttons into the original screw holes.

See Figure below:



Reversing The Door Swing For MIM50, MIM50P and MIM50P-O

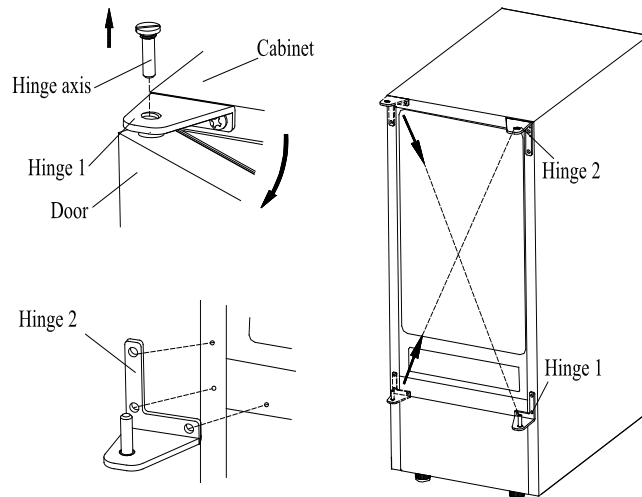
To remove door from hinges:

1. Using a flathead screwdriver, separate the axis from Hinge 1. Set aside.
2. Open the door about 20° around the axis of Bottom Hinge 2, then lift the door off Bottom Hinge 2 and set door aside.

To replace door on hinges:

1. Using a flathead screwdriver, remove the plug buttons from the screw holes opposite the door hinges, top and bottom. Set aside.
2. Replace the axis on the Hinge 1 and tighten it firmly. Remove Hinge 1 and place it on the opposite bottom side.
3. Remove Hinge 2 and place it on the opposite top side. Separate the axis from Hinge 2 and set it aside.
4. Align the door on Bottom Hinge 1 and replace axis on Hinge 2. Tighten it firmly. Place the handle on the side of the door away from the hinge side.
5. Push the plug buttons into the original screw holes.

See Figure below.



Water Supply

The water supply should be ready at the point of installation. The water supply pressure should be a minimum of 15 psi (1 bar or 103 kPa) with a static pressure not more than 75 psi (5.2 bar or 517 kPa). (A wall outlet directly behind the ice maker will make installation easier.)

NOTE:

All installations must be in accordance with local plumbing code requirements.

Professional installation is recommended. Make certain the hoses are not pinched, kinked or damaged during installation. Check for leaks after connection.

Tools Required

½" open-end wrench, Phillips screwdriver

Connecting The Water Line

1. Turn off main water supply. Turn on the nearest faucet long enough to clear line of water.
2. Find a ½" to ¾" vertical cold water pipe near the installation location. The distance should be less than 6 feet. The water supply hose provided with the ice maker is about 6 feet long.
3. A shut-off valve must be installed to the main water supply. If the water pipe has a plain piece of copper tubing, attach a ¼" O.D. compression union to the tubing and remove the nut.
4. Connect the nut of the water supply hose to the tap, and connect the other end with the water inlet. Tighten firmly by hand, then one-half turn with wrench.

- Turn on the main water supply and tap. Check for water supply connection leaks. Tighten every connection (including connection at the water inlet).

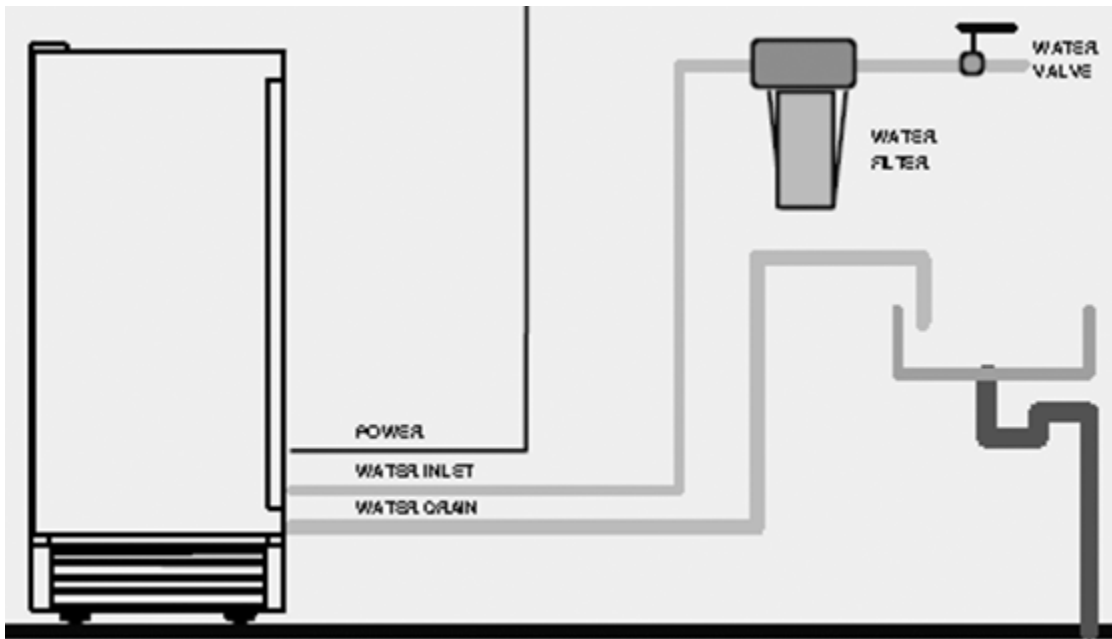
NOTE: When you connect the water supply hose and the drain hose, pay attention to the indications of "Water inlet" and "Drain outlet" on the ice maker.

Drain

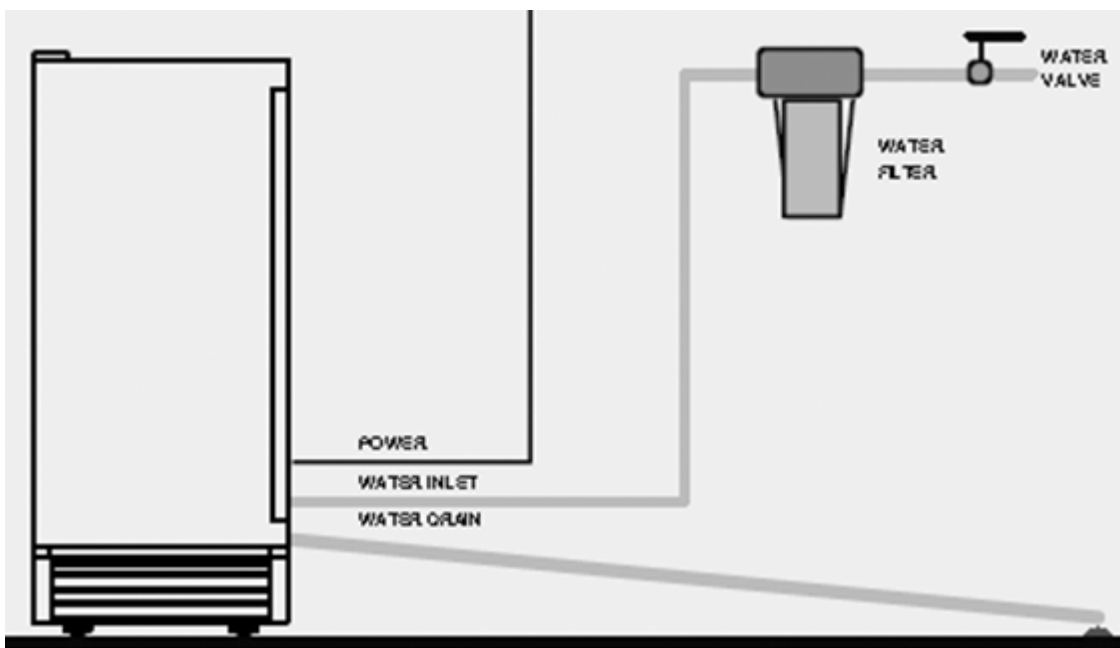
You must connect the drain line before using the ice maker. Follow the steps below.

There are two types of ice machine modes, one that drains by gravity and one that has an internal drain pump.

The *MIM50P* and *MIM50P-O* models come with an internal drain pump that can pump out water up to a rise of 1.5m (59")



or over a horizontal length of 1.5m (59").



Connecting The Drain Line

NOTE: If there is a drain line near the ice maker, the best choice to drain water to the drain line, is through the drain water hose provided with ice maker.

1. Locate the floor drain near the ice maker. The distance should be less than 5 feet since the length of the long drain water hose provided with the ice maker is about 5 feet.
2. Find the drain outlet on the back of ice maker, take off the rear drainage plug. Connect the nut of the drain outlet to the water draining hose, insert the other end of the hose into the drain line.

NOTE: Never allow the drain hose to hang or loop higher than the floor of the ice storage bin.

3. All horizontal runs of drain lines must have a fall of $\frac{1}{4}$ " per foot. An air gap will likely be required between the ice maker drain tube and the drain/waste receptacle. A stand pipe with a trap below it would be acceptable for the drain/waste receptacle. A floor drain is also acceptable. If this is not possible, Maxx Ice recommends the use of a condensate pump. Available at local hardware stores. (*An internal pump comes standard on the MIM50P and MIM50P-O models.*)
4. Pour 1 gallon of water into the ice storage bin to check for leaks at all drain connections and at the nut of the drain water hole. Tighten any connections or nuts that leak.

NOTE: This ice maker is not a freezer. Hot temperatures will cause a high rate of melting in the ice storage bin. Ice will drain over time. A drain is required.

INSTALLATION TYPES

This ice maker has been designed for Mobile (free-standing) installation. However, it can also be Enclosed (under a cabinet) or Built-in (sealed to the floor). In every case, there must be adequate air space around the unit for ventilation.

Mobile Installation

A mobile installation will allow you to install the ice maker free-standing in any place you desire provided you have access to a water supply, proper electrical, a drain and you've leveled the ice maker.

Enclosed Installation

An enclosed installation will allow you to install the ice maker under a cabinet provided the required clearance space around the ice maker is respected, and you have access to a water supply, proper electrical, a drain and you've leveled the ice maker.

Built-in installation

If this method of installation is chosen, it will still be necessary to allow adequate ventilation space around the unit. The following additional items must be observed.

1. Place ice maker in front of installation location. Remove the feet and place the unit flat on the floor or on a platform depending on your installation requirements.
2. The water supply line must be plumbed before connecting to the ice maker.
3. The drain line must be connected. If you do not have a floor drain, you will require a condensation pump. Not required for the *MIM50P and MIM50p-O* models they come with an internal drain pump.
4. Turn on main water supply and tap. Check for water supply connection leaks. Tighten every connection (including connection at the water inlet).
5. If the electrical outlet for the ice maker is behind the cabinet, plug in the ice maker.
6. Push the ice maker into position.
7. Seal all around the cabinet to the floor with an approved caulking compound.

NOTE: Be sure the drain hose is connected and fed into the drain line before the ice maker is moved into its final position.

OPERATION

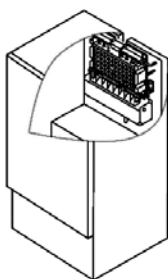
Final Check List Prior To Operation

1. Have all packing materials and tape been removed from the interior and exterior of the ice maker?
2. Did you clean the ice storage bin?
3. Have the installation instructions been followed, including connecting the ice maker to water, drain and electricity?
4. Has the ice maker been leveled?
5. Is the ice maker in a site where the ambient temperature is between 50°F (10°C) and 99°F (37°C) and the water temperature between 40°F (4°C) and 90°F (32°C) all year-round?
6. Has the water supply pressure been checked to ensure a minimum of 15 psi (1 bar or 103 kPa) with a static pressure not to exceed 75 psi (5.2 bar or 517 kPa)?
7. Is there a clearance of at least 4" (102 mm) at the rear, and 1" (25 mm) at top and sides for proper air circulation?
8. Has the power supply voltage been checked or tested against the nameplate rating? And has proper grounding been installed in the ice maker?
9. Is the ice maker plugged in?
10. Have you turned on the main water supply and tap?
11. Have you checked for leaks at all water supply connections?

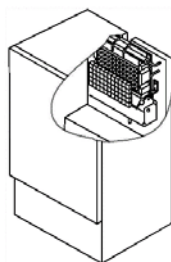
Operating Method

1. Turn on the water tap, let the water trough fill, then press the ON/OFF button on the front panel. The ice maker will start working automatically.

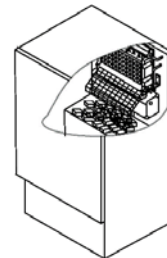
Ice Making Stage



Ice Harvest Stage



Bin Full Stage



2. After 3 minutes, the ice maker will automatically go to the ice-making stage, and the sound of water flowing will be heard.
3. When the batch of ice has been fully formed, ice will automatically be harvested to the ice storage bin.
4. When the ice storage bin is full, the sheet of cubes will not fall completely and will hold the bin-full probe open. The ice maker stops making ice automatically.
5. The unit will start making ice again after the ice cubes are removed. Then the bin-full probe swings back to operating position.
6. Bin light (if present) (*standard on MIM50P and MIM50P-O*): The bin light is controlled by a magnetic reed switch that has been installed on the inner surface of the door. It is turned On or Off automatically with the opening or closing of the door.
7. Pump Water Drain system (if used) (*standard on MIM50P and MIM50P-O*): As soon as the ice melt water or other surplus overflow water in the water reservoir reaches the maximum level, the water level switch closes and transmits a low-voltage current to the PC board. The PC board energizes the water drain pump for 20 seconds, pumping out most of the excess water in the water reservoir.

NOTE:

- Although the unit has been tested and cleaned at the factory, due to long-term transit and storage, the first batch of cubes must be discarded.
- Never turn the water supply tap off when the ice maker is working.
- Never touch evaporator when unit is running!
- Except to take ice from the unit, keep the door closed to reduce melting and insure proper ice formation.

How The Ice Maker Makes Ice

Set the ON/OFF button to the ON position. The ice maker will automatically go to the ice making stage. There are two distinct cycles: ice freeze and harvest.

1. The freeze cycle happens when water flows to the evaporator surface.
2. The harvest cycle is when the ice is released and water enters the ice maker.

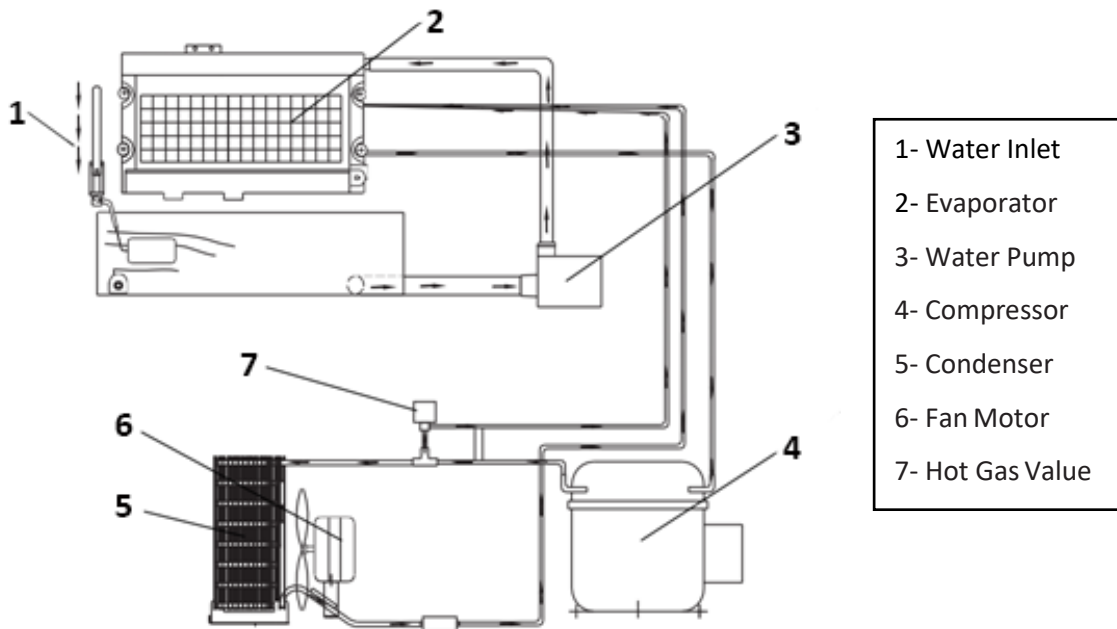
20 Minutes: A complete cycle takes about 20 minutes, but it depends on temperature and operating conditions.

Freeze: During the freeze cycle the compressor is pumping refrigerant, the fan motor is blowing air, and the water pump is circulating water. When the batch of ice has been fully formed, the ice maker stops the freeze cycle and harvest cycle begins.

Harvest: During the harvest cycle the compressor is still operating, but the water pump has stopped. The hot gas valve opens, diverting hot refrigerant gas into the evaporator. The hot refrigerant gas warms the evaporator, causing the cubes to slide as a unit off the evaporator and into the storage bin. The freeze cycle will restart when all the cubes have been harvested.

How The Ice Maker Uses The Water

The ice maker begins with a fixed charge of water that is contained in the water trough. As the water flows to the freezing evaporator surface, the portion of water that does not contain mineral impurities freezes and sticks to the ice cube molds. The water containing impurities falls back into the water trough. During the ice making process, fresh water enters into the water trough continuously as the water in trough freezes continuously in the evaporator.



MIM50P and MIM50P-O DRAIN SYSTEM OPERATION

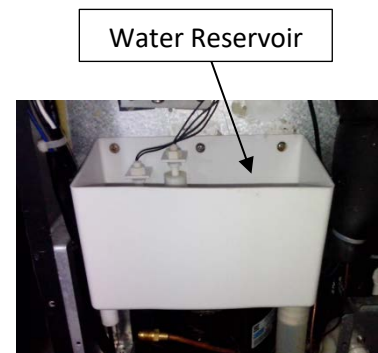
How the drain system operates when water is pumped out

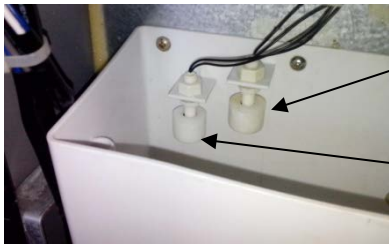
The components of the Pump-Out Water Drain System are

- Water reservoir
- PC Board & Water level switch 1, 2
- Water Drain Pump

Drain Pump Operation

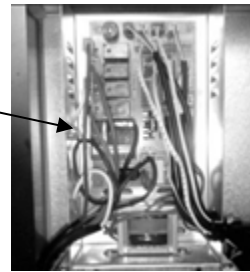
- All water coming from the overflow and the melted ice is collected in the water reservoir.
- As soon as the water in the reservoir reaches the maximum level, the water level switch 1 closes, transmitting a low voltage current to the PC Board.





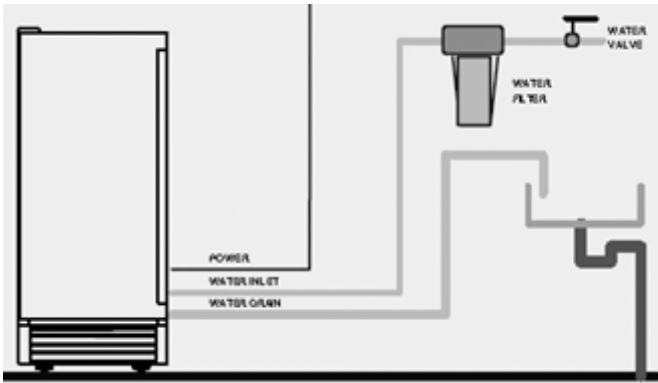
Water Level Switch 2

Water Level Switch 1



PC Board

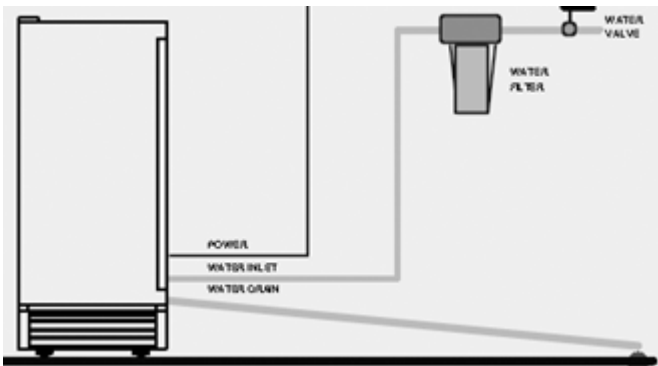
- The PC board activates the water drain pump for 20 seconds, pumping out most of the water contained in the water reservoir.
- The water can be pumped out up a rise of 1.5m (59") or



NOTE:
The outlet of the drain hose must be raised higher than the water surface to prevent the drained water from flowing back into the water reservoir.

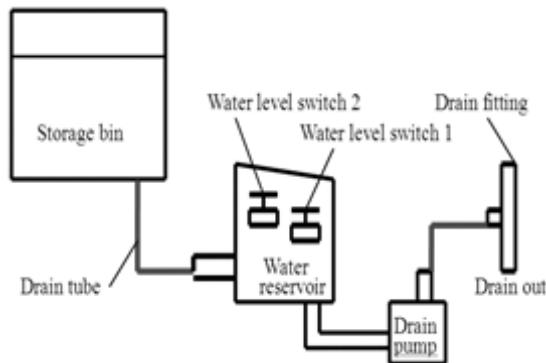
WARNING!
If alarm buzzer sounds, turn off the ice maker and the water supply, remove all ice from storage bin, and wipe up any water that may have overflowed. Check if there is any water in water trough at back of unit; if no water, drainage pump may not be receiving the proper amount of power. Check power source. If the problem can be corrected, turn on the unit again. Also check that none of the water lines are kinked. If the problem remains, contact Customer Service.

over a horizontal length of 1.5m (59").



- If water level switch 2 closes, transmitting a low-voltage current to the PC board, the PC board activates the buzzer alarm, informing you that the drain pump, water level switch or drain tube may be malfunctioning.

Drain System Schematic Diagram



Normal Sounds

Your new ice maker may make sounds that are not familiar to you. Most of the new sounds are normal. Hard surfaces like the floor and walls can make the sounds louder than they actually are. The following list describes the sounds that might be new to you and what may be causing them.

- Rattling noises may come from the flow of the refrigerant or the water line. Item stored on top of the ice maker can also make noises.
- The high efficiency compressor may make a pulsating or high-pitched sound.
- Water running may make a splashing sound.
- You may hear air being forced over the condenser by the condenser fan.
- During the harvest cycle, you may hear the sound of ice cubes falling into the ice storage bin.

Preparing The Ice Maker For Long Storage

If the ice maker will not be used for a long time, or is to be moved to another place, it will be necessary to drain the system of water.

1. Shut off the water supply at the main water source.
2. Disconnect the water supply line from the water inlet.
3. Shut off the electric supply at the main electrical power source.
4. Take out the ice storage bin to remove any remaining ice and water. Dry the bin.
5. Pull off the drainage tube of the water trough to drain off all water.
6. Leave the door open to allow for circulation and to prevent mold and mildew.
7. Leave water supply line and power cord disconnected until ready to reuse.

NOTE: Do not touch the power plug when your hands are wet. Never unplug the unit by pulling on the cord. Grasp the plug and pull out firmly.

CLEANING AND MAINTENANCE

CAUTION

If the ice maker is left unused for a long time, before the next use it must be thoroughly cleaned. Follow carefully any instructions provided for cleaning or use of sanitizing solutions. Do not leave any solution inside the ice maker after cleaning.

Periodic cleaning and proper maintenance will ensure efficiency, top performance, and long life. The maintenance intervals listed are based on normal conditions. You may want to shorten the intervals if you have pets, or if there are other special considerations.

What Shouldn't Be Done?

Never keep anything in the ice storage bin that is not ice: objects like wine and beer bottles are not only unsanitary, but the labels may slip off and plug up the drain.

What Parts Should Be Kept Clean?

1. The exterior
2. The interior
3. The condenser
4. Water distribution tube
5. The ice-making system

WARNING

Before proceeding with cleaning and maintenance operations, make sure the power line of the unit is disconnected and the water line is shut off.

Exterior Cleaning

The door and cabinet may be cleaned with a mild detergent and warm water solution such as 1 oz. of dishwashing liquid mixed with 2 gallons of warm water. Do not use solvent-based or abrasive cleaners. Use a soft sponge and rinse with clean water. Wipe with a soft clean towel to prevent water spotting.

If the door panel is stainless steel, stainless steel can discolor when exposed to chlorine gas and moisture. Clean stainless steel with a mild detergent and warm water solution and a damp cloth. Never use an abrasive cleaning agent.

Interior Cleaning

The ice storage bin should be sanitized occasionally. Clean the water trough before the ice maker is used first time and reused after stopping for an extended period of time. It is usually convenient to sanitize the trough after the ice making system has been cleaned, and the ice storage bin is empty.

1. Disconnect the power to the unit.
2. Open the door and take out the removable ice storage bin. With a clean cloth, wipe down the interior of unit and ice bin with a sanitizing solution made of 1 ounce of household bleach or chlorine and 2 gallons of hot (95°F – 115°F) water.
3. Rinse thoroughly with clear water.
4. Screw off the drainage nut to drain completely.
5. Put the ice storage bin inside the unit.
6. Reconnect power to the unit.

The ice scoop should be washed regularly. Wash it just like any other food container.

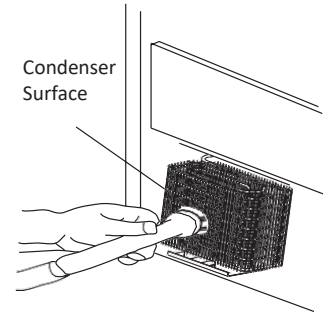
WARNING

DO NOT use solvent-based cleaning agents or abrasives on the interior. These cleaners may transmit taste to the ice cubes and damage or discolor the interior.

Condenser Cleaning

A dirty or clogged condenser prevents proper airflow, reduces ice making capacity, and causes higher than recommended operating temperatures that may lead to component failure. Have the condenser cleaned at least once every six months.

1. Unplug the ice maker or disconnect power.
2. Gently pull off the lower front louver. *(On MIM50-O only remove two screws securing front louver and then remove louver.)*
3. Remove dirt and lint from the condenser and the unit compartment with the brush attachment of a vacuum cleaner.
4. Reassemble the lower front louver.
5. Plug in the ice maker or reconnect power.



Water Distribution Tube Cleaning

When you find the ice cubes are incompletely formed or the output is low, the water distribution tube may be blocked. Turn off the power button, gently take out the water distribution tube, locate the holes in the distribution tube and use a pointed object such as a toothpick to dredge the holes. Then put the water distribution tube back to its original position. If the tube is badly blocked, clean it as follows:

1. Shut off the water supply.
2. Disconnect the water hose from the distribution tube.
3. Gently take out the distribution tube.
4. With a brush, clean the tube with a dilute solution of warm water and a mild detergent such as dishwashing liquid. After removing the dirt and lint from the surface, rinse the tube with clean water.
5. Replace the distribution tube.
6. Reconnect the water supply.

Ice-Making System Cleaning and Sanitizing

Minerals that are removed from the water during the freezing cycle will eventually form a hard, scaly deposit in the water system. Cleaning the system regularly helps remove the mineral scale buildup. How often to clean the system depends upon how hard your water is or how effective your filtration may be. With hard water of 15 to 20 grains/gal. (4 to 5 grains/liter), you may need to clean the system as often as once every 6 months.

1. Make sure that all the ice is off the evaporator. If ice is being formed, wait until the cycle is completed, then press the ice maker's ON/OFF switch on the control panel.
2. Remove all ice from the storage bin.
3. Keep the ice maker connected to the water supply. Pour 8 oz. of Nickel-Safe Ice Machine Cleaner Solution into the water trough. Then press the ON/OFF switch and the CLEAN button, initiating the wash cycle. The ice maker will run in the Automatic Clean Mode.

4. Allow 30 minutes for proper cleaning. After cleaning, press the ON/OFF switch again. Use a drain hose on the front of the water trough to drain off the waste water to a convenient container. Don't drain off the waste water to the inside of the cabinet.
5. Repeat steps 3 and 4 (without Ice Machine Cleaning Solution) three times to rinse the ice making system thoroughly.
6. Next, prepare a sanitizing solution made of 1 ounce of household bleach and 2 gallons of hot water (95° to 115°F). Fill a spray bottle with the sanitizing solution and spray all corners and edges, making sure to cover all surfaces with the solution. Wipe the entire bin inside and outside, covering the entire surface of the walls. Allow the solution to be in contact for at least 3 minutes, then dry.
7. Repeat steps 1 to 5 with the sanitizing solution of step 6 (bleach and water). Filling the water through to its maximum level.
8. Repeat steps 3 and 4 to rinse the ice making system one more time.
9. Press the ON/OFF button again. The ice maker will return to the regular ice making mode. Discard the first batch of ice.

WARNING

The ice machine cleaner contains acids.

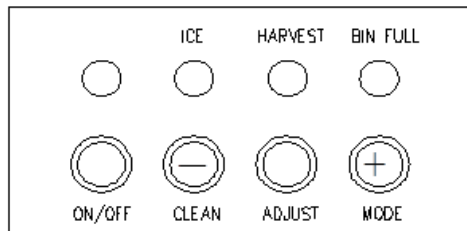
DO NOT use or mix with any other solvent-based cleaner products. Use rubber gloves to protect hands.

Carefully read the material safety instructions on the container of the ice machine cleaner.

Discard the first batch of ice produced after cleaning.

CONTROL PANEL

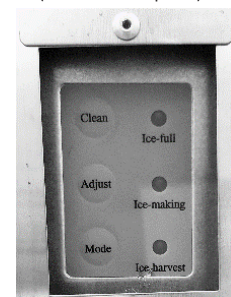
**MIM50V / MIM50 / MIM50P
/ MIM50P-O
Front Inside Door**



**MIM50-O
Front Inside Door**



**Back
(Behind access panel)**



Description Of LEDs And Buttons

1. **Bin Full (Red) LED:** Bin full indicator light
When this is lit, the ice storage bin is full of ice or there is something blocking the bin-full probe. The unit will stop working. When ice cubes are removed from the ice storage bin, freeing the bin-full probe, the red LED will remain flashing for 3 minutes, then the unit will restart and return to the ice making mode.
2. **Ice Making (Green) LED:** Ice making indicator light
When this is lit, the unit is working in the ice making mode controlled by a temperature sensor.
3. **Ice Harvest (Yellow) LED:** Ice harvest indicator light
When this is lit, the unit is working in the ice harvest mode controlled by the ice-full probe.
4. **Mode button:** Mainly for service. When this is pressed, the ice making mode changes to the ice harvest mode or vice versa. The mode can be judged from the status of the green and yellow LEDs.
5. **Adjust button:** To be used by an authorized service technician.

MAJOR FUNCTIONS

1. The operating procedure is completely automatic.
2. When the ice storage bin is full of ice cubes, the ice maker stops making ice automatically. It starts making ice again after ice cubes are removed.
3. The different colors of the LED display indicate various work modes.
4. A sensitive probe and accurate timer enhance the performance of the ice maker.
5. A compressor protection system is built in.

TROUBLE SHOOTING

Problem	Possible Cause	Probable Correction
The ice maker doesn't operate.	The ice maker is unplugged.	Plug the ice maker in.
	The fuse is blown.	Replace fuse. If it happens again, call for service to check for a short circuit in the unit.
	The ice maker power button is set at OFF.	Switch the ice maker power button to ON.
	The ice storage bin is full of ice.	Remove some ice cubes. Be sure the ice-full probe is free of ice.
The water doesn't feed in after the ice maker starts.	The water supply tap is turned off.	Turn on the water supply tap.
	The water supply pipe is not properly connected.	Reconnect the water supply pipe.
Ice maker makes ice, but bin does not fill up with ice.	The condenser may be dirty.	Clean the condenser.
	The air flow to the ice maker may be obstructed.	Check the installation.
	The ambient temperature and water temperature are high, or unit is near some heat source.	Check the installation.
Water is leaking out of the unit.	Some water falls to the floor when you open the door to remove ice from storage bin.	Normal condensation on the door or some water together with ice. Take care when you take out ice.
	Water supply connection is leaking.	Tighten fitting. <i>See Connecting the water line.</i>
	Drain pipe higher than drain outlet. (Applies to MIM50V/50/50-O only. MIM50P/50P-O has drain pump)	Lower drain pipe.
Cubes are partially formed or are white on the bottom.	Not enough water in the water trough.	Check if the water supply pressure is below 15 psi (103 kPa).
		Check water supply or filter may be restricted.
		Check for a water leak at the water trough.
Noise during operation	The feet are not leveled and locked.	Level and lock the feet. <i>See Leveling the Ice Maker.</i>
	Certain sounds are normal.	<i>See Normal Sounds.</i>
The ice maker stops suddenly while making ice.	The electricity is off.	Reconnect the power supply line.
	The room temperature is out of the stated range.	Cut off the electricity and leave the ice maker disconnected until the temperature returns to within the stated range.
	The ice storage bin is full of ice.	Remove some ice cubes; make sure the ice-full probe is free of ice.
The body of the ice maker is electrified	The ground line isn't in the socket.	Use a socket meeting the grounding requirements.
Scaling occurs frequently inside the ice maker.	The hardness level of the water is too high.	Install a water-softening device in front of the water inlet.
Water leaks from the ice storage bin.	The drain hole below the ice storage bin is blocked.	Remove the ice storage bin and clean the drain hole.
	The drain hose is kinked or improperly placed higher than the floor of the ice storage bin.	Check the drain hose to be sure water can be drained out unhindered.
Buzzer alarm. (Applies to MIM50P and MIM50P-O only)	Problem in pumping out water.	Check for correct operation of drain water pump, water level switch and drain tube.

Table des matières

SÉCURITÉ ET MACHINE À GLAÇONS	20
MESURES DE PROTECTION IMPORTANTES	20
RENSEIGNEMENTS TECHNIQUES.....	22
INTRODUCTION	22
EMPLACEMENTS DES COMPOSANTS	23
INSTALLATION DE LA MACHINE À GLAÇONS.....	24
Retirer le matériau d’emballage.....	24
Nettoyage avant l’utilisation	24
Dégagements pour l’installation	24
Exigences en matière d’électricité.....	25
Méthode recommandée de mise à la terre.....	25
Mise de niveau de la machine à glaçons	25
Inverser l’ouverture de porte pour MIM50-O et MIM50V.....	26
Inverser l’ouverture de porte pour MIM50, MIM50P et MIM50P-O	27
Alimentation en eau	27
Outils requis.....	27
Évacuation	28
TYPES D’INSTALLATION	29
Installation mobile.....	29
Installation enfermée	29
Installation intégrée	29
UTILISATION	30
Liste de vérification finale avant l’utilisation.....	30
Méthode d’utilisation.....	30
Comment la machine à glaçons produit des glaçons	31
Comment la machine à glaçons utilise l’eau	31
FONCTIONNEMENT DU SYSTÈME D’ÉVACUATION MIM50P et MIM50P-O.....	31
Fonctionnement du système d’évacuation quand l’eau est pompée.....	31
Fonctionnement de la pompe d’évacuation	31
Sons normaux.....	33
Préparation de la machine à glaçons pour un entreposage à long terme	33
NETTOYAGE ET ENTRETIEN	34
Ce qu’il ne faut pas faire.....	34
Les pièces qu’il faut garder propres.	34
Nettoyage de l’extérieur.....	34
Nettoyage de l’intérieur	34
Nettoyage du condenseur	35
Nettoyage du tube de distribution d’eau.....	35
Nettoyage et assainissement du système de production des glaçons.....	35
PANNEAU DE COMMANDE	36
Description des voyants à DEL et des boutons.....	36
FONCTIONS IMPORTANTES	37
DÉPANNAGE	37

The Legacy Companies se réserve le droit d’apporter des modifications aux caractéristiques et à la conception sans préavis.

CONSERVEZ CES CONSIGNES

SÉCURITÉ ET MACHINE À GLAÇONS

Votre sécurité et celle des autres sont extrêmement importantes.

Nous avons fourni de nombreux messages de sécurité importants dans ce manuel et sur votre appareil.

Lisez et respectez toujours tous les messages de sécurité.



Voici le symbole d'alerte à la sécurité. Ce symbole vous avertit de dangers potentiels qui pourraient vous blesser ou vous tuer ainsi que d'autres personnes. Tous les messages de sécurité suivront le symbole d'alerte à la sécurité et l'un des mots suivants, « **DANGER** », « **AVERTISSEMENT** » OU « **ATTENTION** ».

DANGER

DANGER signifie qu'un manque à respecter cette déclaration de sécurité peut entraîner des blessures corporelles graves ou la mort.

AVERTISSEMENT

AVERTISSEMENT signifie qu'un manque à respecter cette déclaration de sécurité peut entraîner des dommages matériels considérables, des blessures corporelles graves ou la mort.

ATTENTION

ATTENTION signifie qu'un manque à respecter cette déclaration de sécurité peut entraîner des blessures plus ou moins graves ou des dommages aux biens ou à l'équipement.

Tous les messages de sécurité vous alerteront en quoi le danger potentiel consiste, vous indiqueront comment réduire le risque de blessure et vous aviseront de ce qui pourrait se produire si vous ne suivez pas les instructions.

AVERTISSEMENT

Pour réduire le risque d'incendie, de choc électrique ou de blessure lorsque vous utilisez votre machine à glaçons, veuillez respecter ces précautions de base :

- Branchez dans une prise mise à la terre à 3 broches.
- Ne retirez pas la broche de mise à la terre.
- N'utilisez pas d'adaptateur.
- N'utilisez pas de rallonge.
- Coupez l'alimentation électrique avant le nettoyage.
- Coupez l'alimentation électrique avant l'entretien.
- Remettez en place tous les panneaux avant l'utilisation.
- Deux personnes ou davantage sont nécessaires pour déplacer et installer la machine à glaçons.

MESURES DE PROTECTION IMPORTANTES



Avant d'utiliser la machine à glaçons, il faut la placer et l'installer correctement selon les instructions de ce manuel que vous devez donc lire avec soin. Maxx Ice recommande fortement que vous fassiez appel à un professionnel pour l'installation de votre nouvelle machine à glaçons. Une mauvaise installation pourrait nuire à la garantie ou l'annuler.

Pour réduire le risque d'incendie, de choc électrique ou de blessure lorsque vous utilisez votre machine à glaçons, veuillez respecter les précautions de base, y compris les suivantes :

- Branchez dans une prise mise à la terre à 3 broches; ne retirez pas la broche de mise à la terre, n'utilisez pas d'adaptateur et n'utilisez pas de rallonge.
- Il est recommandé de disposer d'un circuit séparé qui desserve uniquement votre machine à glaçons.
- Utilisez des prises qui ne peuvent pas être éteintes par un interrupteur ou chaîne (tirette).
- Ne branchez ou débranchez pas la fiche électrique lorsque vos mains sont mouillées.
- Ne débranchez jamais la machine à glaçons en tirant sur le cordon d'alimentation. Saisissez toujours la fiche fermement et retirez-la tout droit de la prise.
- Ne nettoyez jamais les pièces de la machine à glaçons avec des fluides inflammables. N'entreposez ou n'utilisez aucune essence ou autres vapeurs et liquides inflammables à proximité de cet appareil ou de tout autre appareil ménager. Les vapeurs pourraient entraîner un risque d'incendie ou d'explosion.
- Avant d'entamer le nettoyage et l'entretien, assurez-vous que la ligne électrique de l'appareil est déconnectée et que la conduite d'eau est fermée.
- Avant l'utilisation, remettez tous les panneaux en place.
- Ne laissez jamais les enfants utiliser, jouer avec ou grimper à l'intérieur de la machine à glaçons.
- Ne touchez pas l'évaporateur avec la main pendant que la machine à glaçons est en marche.
- Débranchez la machine à glaçons ou coupez l'alimentation électrique avant le nettoyage ou l'entretien. Un manque à le faire peut entraîner un choc électrique ou la mort. Ne tentez pas de réparer ou remplacer une pièce quelconque de votre machine à glaçons à moins que cela ne soit spécifiquement recommandé dans ce manuel. Vous devez faire appel à un technicien qualifié pour effectuer tous les autres services.

AVERTISSEMENT

- Deux personnes ou davantage sont nécessaires pour déplacer et installer la machine à glaçons. Ne pas respecter cette consigne peut entraîner des blessures au dos ou autres blessures.
- **N'installez ou n'utilisez jamais l'appareil derrière des portes fermées.** Pour assurer une bonne ventilation de votre machine à glaçons, vous devez absolument éviter toute obstruction devant l'appareil. Choisissez un emplacement bien aéré dont la température ambiante varie entre 10 °C (50 °F) et 37 °C (99 °F). Cet appareil DOIT être installé dans un emplacement protégé des éléments tels que le vent, la pluie, l'eau, les jets ou les égouttements d'eau.
- La machine à glaçons ne doit pas être située à côté de fours, de grils ou autres sources de chaleur élevée.
- La machine à glaçons doit être installée avec tous les raccordements électriques et d'eau effectués conformément aux codes de l'état/la province et codes locaux. Une alimentation électrique standard correctement mise à la terre, conformément au Code national de l'électricité et des codes et réglementations locaux est requise.
- N'entortillez ou pincez pas le cordon d'alimentation électrique entre la machine à glaçons et l'armoire.
- La taille du fusible (ou disjoncteur) correspond à une capacité de 15 ampères.
- Il est important que la machine à glaçons soit bien mise de niveau pour fonctionner correctement. Sinon, il se peut que l'eau ne coule pas correctement dans l'évaporateur (moule à glaçons). La production de glaçons sera inférieure à la norme. Il se peut que vous ayez à effectuer plusieurs réglages pour la mettre de niveau.
- Toutes les installations doivent être conformes aux exigences des codes de plomberie locaux.
- Assurez-vous que les tuyaux ne sont pas pincés, entortillés ou endommagés pendant l'installation.
- Vérifiez s'il y a des fuites après le raccordement de la conduite d'eau.
- Bien que l'appareil ait été testé et nettoyé en usine, il faut jeter le premier lot de glaçons en raison du transport et de l'entreposage de longue durée.
- Retirez le matériau d'emballage et nettoyez la machine à glaçons avant l'utilisation.
- Ouvrez le robinet d'alimentation en eau avant de mettre la machine à glaçons en marche. Ne fermez jamais le robinet d'alimentation en eau pendant que la machine à glaçons est en marche.
- Sauf dans les cas où vous prenez des glaçons du bac de stockage, gardez la porte fermée afin d'éviter que les glaçons fondent et de favoriser une bonne formation de glaçons.
- Si la machine à glaçons n'est pas utilisée pendant une longue période, il faut la nettoyer à fond avant l'utilisation suivante. Suivez les instructions de nettoyage fournies avec soin. Ne laissez aucune solution désinfectante à l'intérieur de la machine à glaçons après le nettoyage. N'utilisez PAS d'agents nettoyants à base de solvant ou abrasifs sur l'intérieur. Ces produits de nettoyage peuvent donner un mauvais goût aux glaçons ou endommager ou décolorer l'intérieur. Le nettoyant pour machine à glaçons contient des acides. Ne l'utilisez et ne le mélangez avec aucun autre produit de nettoyage à base de solvant. Utilisez des gants en caoutchouc pour protéger vos mains. Lisez avec soin les consignes de sécurité stipulées sur le conteneur du nettoyant pour machine à glaçons.
- N'utilisez pas cet appareil à des fins autres que celles pour lesquelles il est conçu.
- Ne touchez pas les ailettes du condensateur car elles sont pointues et peuvent être facilement endommagées.

Raccordement électrique

Ne coupez ou retirez en aucun cas la troisième broche (de mise à la terre) du cordon d'alimentation électrique. Pour votre sécurité personnelle, cet appareil doit être correctement mis à la terre. Le cordon d'alimentation de cet appareil est doté d'une fiche de mise à la terre à 3 broches qui se branche sur une prise murale de mise à la terre à 3 broches standard pour réduire le risque de choc électrique dû à l'appareil.

Faites appel à un électricien qualifié pour inspecter la prise et le circuit muraux, pour vous assurer que la prise est correctement mise à la terre. Lorsque vous rencontrez une prise murale à 2 broches standard, vous êtes responsable et obligé de la faire remplacer par une prise murale correctement mise à la terre à 3 broches. La machine à glaçons doit toujours être branchée dans sa propre prise électrique individuelle dont la tension nominale correspond à celle spécifiée sur l'étiquette de l'appareil. Ceci assure le meilleur rendement possible et empêche également de surcharger les circuits de câblage résidentiel, ce qui pourrait poser un risque d'incendie du fait de fils surchauffés. Ne débranchez jamais votre machine à glaçons en tirant sur le cordon d'alimentation. Saisissez toujours la fiche fermement et retirez-la tout droit de la prise. Réparez ou remplacez immédiatement tous les cordons d'alimentation qui sont effilochés ou autrement endommagés. N'utilisez pas un cordon qui présente des fissures ou abrasions sur sa longueur ou à l'une de ses extrémités. Lorsque vous déplacez la machine à glaçons, veillez à ne pas endommager le cordon d'alimentation.

Rallonge

En raison des risques à la sécurité potentiels résultant de certaines conditions, il est fortement recommandé de ne pas utiliser une rallonge avec cette machine à glaçons.

RENSEIGNEMENTS TECHNIQUES

Modèle :	MIM50 / MIM50V	MIM50-O	MIM50P	MIM50P-O
Description	Machine à glaçons d'intérieur de 22,7 kg	Machine à glaçons d'extérieur de 22,7 kg	Machine à glaçons d'intérieur de 22,7 kg	Machine à glaçons d'extérieur de 22,7 kg
Tension :	120 V/60 Hz/1 Ph, 220 V/50 Hz/1 Ph	120 V/60 Hz/1 Ph, 220 V/50 Hz/1 Ph	120 V/60 Hz/1 Ph, 220 V/50 Hz/1 Ph	120 V/60 Hz/1 Ph, 220 V/50 Hz/1 Ph
Ampères (production/récolte de glaçons) :	3,0 / 4,0	3,0 / 4,0	3,0 / 4,0	3,0 / 4,0
Type de glaçon :	Glaçon en forme de plaque	Glaçon en forme de plaque	Glaçon en forme de plaque	Glaçon en forme de plaque
Taille du glaçon :	2,2 cm x 2,2 cm x 2,2 cm	2,2 cm x 2,2 cm x 2,2 cm	2,2 cm x 2,2 cm x 2,2 cm	2,2 cm x 2,2 cm x 2,2 cm
Consommation électrique :	12,2 kWh / 45 kg de glaçons	12,2 kWh / 45 kg de glaçons	12,2 kWh / 45 kg de glaçons	12,2 kWh / 45 kg de glaçons
Poids de l'appareil :	38 kg/84 lb	37,6 kg/83 lb	39 kg/86 lb	39 kg/86 liv.
Stockage maximum de glaçons :	11 kg	11 kg	11 kg	11 kg
Capacité de production de glaçons :	22,7 kg par jour*	22,7 kg par jour*	22,7 kg par jour*	22,7 kg par jour*
Dimensions de l'appareil :	37,1 cm x 60 cm x 83,8 cm	37,1 cm x 60 cm x 83,8 cm	37,1 cm x 60 cm x 83,8 cm	37,1 cm x 60 cm x 83,8 cm
Lumière à DEL bleue interne quand la porte est ouverte.	Non	Non	Oui	Oui
Pompe d'évacuation	Non	Non	Oui	Oui

*La quantité réelle de glaçons produits chaque jour peut varier en fonctions des conditions de la pièce et de l'eau.

Les données techniques et les indices de rendement mentionnés ci-dessus peuvent faire l'objet de modifications et ne doivent être utilisés qu'à titre de référence.

INTRODUCTION

La série de machines à glaçon MIM50 de Maxx Ice produit des glaçons durs de qualité supérieure et offre la commodité aux propriétaires résidentiels, aux restaurants et aux clients d'hôtels. Un bac de stockage des glaçons isolé est intégré.

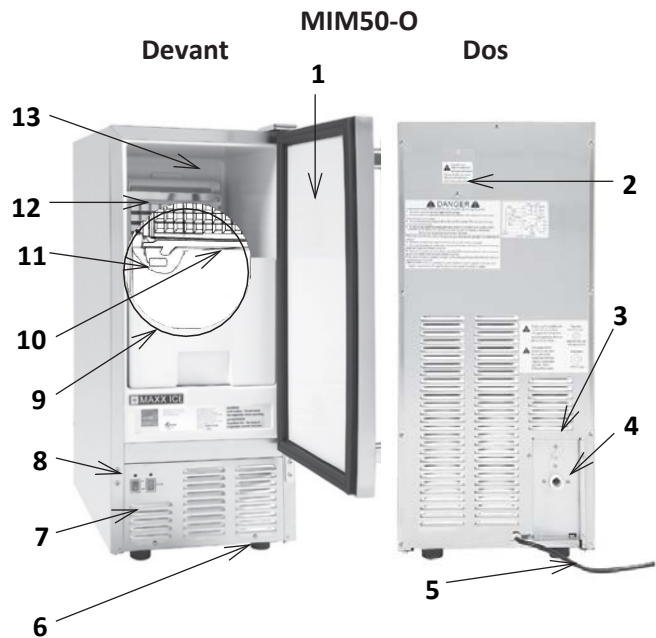
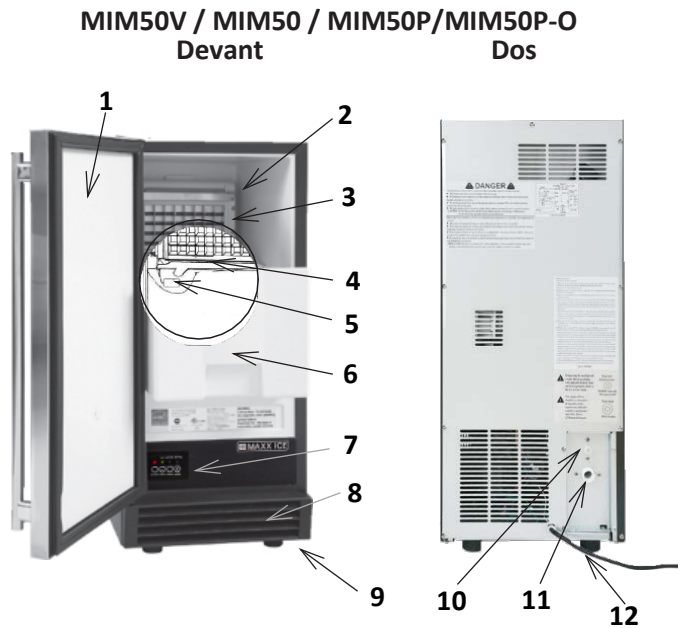
- Une alimentation en eau froide est nécessaire.
- Une vidange par gravité est nécessaire.

Ce manuel de l'utilisateur sert de ressource pour les individus chargés de l'installation, de l'utilisation et de l'entretien de la série MIM50. Il contient des consignes de sécurité et d'entretien utiles. Maxx Ice recommande fortement que vous le conserviez dans un emplacement facile d'accès au besoin.

La série MIM50 est conçue et fabriquée conformément aux normes de sécurité et de rendement les plus rigoureuses. Elle respecte ou dépasse la norme de sécurité UL563 et la norme sanitaire NSF12.

Maxx Ice n'assume aucune responsabilité pour les produits fabriqués par Maxx Ice ayant été modifiés d'une manière quelconque, y compris l'utilisation de toutes pièces et/ou autres composants non spécifiquement approuvés dans le cadre de Garantie et pièces Maxx Ice. Maxx Ice se réserve le droit d'apporter des modifications et/ou améliorations à tout moment. Les caractéristiques et conceptions sont susceptibles d'être modifiées sans préavis.

EMPLACEMENTS DES COMPOSANTS



MIM50V / MIM50 / MIM50P/MIM50P-O				MIM50-O			
N° D'ARTICLE	ENGLISH	FRANÇAIS	ESPAÑOL	N° D'ARTICLE	ENGLISH	FRANÇAIS	ESPAÑOL
1	Door	Porte	Puerta	1	Door	Porte	Puerta
2	Water Distribution Tube	Tube de distribution d'eau	Tubo de distribución de agua	2	Control Panel (Behind access panel)	Panneau de commande (derrière le panneau d'accès)	Panel de control (detrás del panel de acceso)
3	Evaporator (ice mold)	Évaporateur (moule à glace)	Evaporador (molde de hielo)	3	Water Inlet	Arrivée d'eau	Entrada de agua
4	Water Trough	Cuvette d'eau	Abrevadero	4	Drain Outlet	Sortie d'évacuation	Drenaje de salida
5	Float	Flotteur	Flotador	5	Power Cord	Cordon d'alimentation	Cable de alimentación
6	Ice Storage Bin	Bac de stockage des glaçons	Compartimiento de almacenamiento de hielo	6	Caster	Roulette	Castor
7	Control Panel	Panneau de commande	Panel de control	7	Front Louver Panel	Panneau avant à persiennes	Panel frontal de la persiana
8	Front Louver Panel	Panneau avant à persiennes	Panel frontal de la persiana	8	On/Off/Clean Buttons	Boutons On (Marche)/Off (Arrêt)/Clean (Nettoyage)	Botones de encendido / apagado / limpieza
9	Caster	Roulette	Castor	9	Ice Storage Bin	Bac de stockage des glaçons	Compartimiento de almacenamiento de hielo
10	Water Inlet	Arrivée d'eau	Entrada de agua	10	Water Trough	Cuvette d'eau	Abrevadero
11	Drain Outlet	Sortie d'évacuation	Drenaje de salida	11	Float	Flotteur	Flotador
12	Power Cord	Cordon d'alimentation	Cable de alimentación	12	Evaporator (ice mold)	Évaporateur (moule à glaçons)	Evaporador (molde de hielo)
				13	Water Distribution Tube	Tube de distribution d'eau	Tubo de distribución de agua

INSTALLATION DE LA MACHINE À GLAÇONS

AVERTISSEMENT

Danger posé par un poids excessif

Deux personnes ou davantage sont nécessaires pour déplacer et installer la machine à glaçons.

Ne pas respecter cette consigne peut entraîner des blessures au dos ou autres blessures.

Retirer le matériau d'emballage

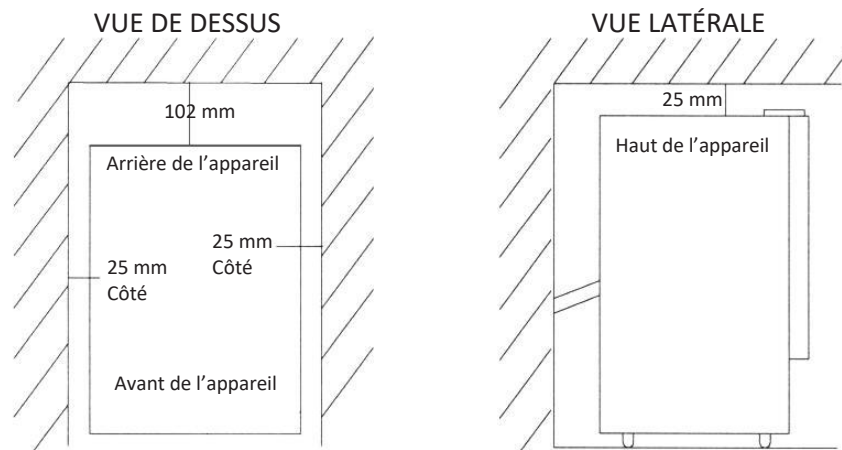
IMPORTANT : Ne retirez aucune étiquette d'instructions permanente, ni l'étiquette de spécifications situées sur votre machine à glaçons. Retirez le ruban adhésif et la colle de votre machine à glaçons avant de l'utiliser.

- Pour retirer tout reste de ruban adhésif ou de colle, veuillez frotter rapidement la surface avec votre pouce. Le résidu de ruban adhésif ou de colle peut également être facilement retiré en frottant une petite quantité de liquide vaisselle sur l'adhésif avec les doigts. Essuyez à l'eau chaude et séchez.
- N'utilisez pas d'instruments pointus, d'alcool à friction, de fluides inflammables ou de nettoyants abrasifs pour retirer les résidus de ruban adhésif ou de colle. Ces produits peuvent endommager la surface de votre machine à glaçons.

Nettoyage avant l'utilisation

Après avoir retiré tout le matériau d'emballage, nettoyez l'intérieur de votre machine à glaçons avant de l'utiliser. Voir « Nettoyage intérieur » dans la section Nettoyage et Entretien.

Dégagements pour l'installation



- Cette machine à glaçons doit être installée correctement par un personnel qualifié.
- Pour assurer une bonne ventilation de votre machine à glaçons, vous devez absolument éviter toute obstruction devant l'appareil.
- Lorsque vous installez la machine à glaçons sous un comptoir, respectez les dimensions d'espacement recommandées. Accordez un dégagement d'au moins 102 mm (4 po) à l'arrière et d'au moins 25 mm (1 po) en haut et sur les côtés pour permettre une circulation adéquate de l'air. L'installation doit permettre à la machine à glaçons d'être tirée en avant pour l'entretien si besoin est.
- Choisissez un emplacement bien aéré dont la température ambiante varie entre 10 °C (50 °F) et 37 °C (99 °F). Cet appareil DOIT être installé dans un emplacement protégé des éléments tels que le vent, la pluie, l'eau, les jets ou les égouttements d'eau.
- L'appareil ne doit pas être situé à côté de fours, de grils ou autres sources de chaleur élevée.
- L'installation de la machine à glaçons requiert l'arrivée d'une alimentation en eau froide par tube en cuivre mou de 6,35 mm (1/4 po) avec un robinet d'arrêt.
- La machine à glaçons requiert une alimentation en eau continue avec une pression minimale d'1 bar ou 103 kPa (15 psi) et une pression statique ne dépassant pas 5,2 bars ou 517 kPa (75 psi). La température de l'eau arrivant dans la machine à glaçons doit être comprise entre 4 °C (40 °F) et 32 °C (90 °F) pour un bon fonctionnement.

AVERTISSEMENT

La température ambiante de fonctionnement normal doit être comprise entre 10 °C (50 °F) et 37 °C (99 °F).

La température de l'eau pour un fonctionnement normal doit être comprise entre 4 °C (40 °F) et 32 °C (90 °F).

L'utilisation de la machine à glaçons pendant de longues périodes en dehors de ces plages de températures normales peut affecter la capacité de production.

- **Il est fortement recommandé d'utiliser un filtre à eau.** Un filtre de type correct peut éliminer les goûts et odeurs, ainsi que les particules. Certaines eaux sont très dures et l'eau adoucie peut produire des glaçons blancs et pâteux qui collent les uns aux autres. L'eau désionisée est déconseillée.
- La machine à glaçons doit être installée avec tous les raccordements électriques et d'eau effectués conformément aux codes de l'état/la province et locaux.
- L'appareil doit être placé sur une surface ferme et de niveau. Il est important que la machine à glaçons soit bien mise de niveau pour fonctionner correctement. Vous pouvez régler la hauteur de la machine à glaçons en tournant la roulette, si nécessaire. *Voir la section « Mise de niveau de la machine à glaçons ».*
- Une alimentation électrique standard (115 V c.a. seulement, 60 Hz, 15 A) correctement mise à la terre, conformément au Code national de l'électricité et aux codes et réglementations locaux est requise.

IMPORTANT : N'entortillez et ne pincez pas le cordon d'alimentation électrique entre la machine à glaçons et le mur ou l'armoire.

Exigences en matière d'électricité

DANGER



Risque de choc électrique

Branchez dans une prise mise à la terre à 3 broches. Ne retirez jamais la broche de mise à la terre de la fiche. N'utilisez jamais d'adaptateur. N'utilisez jamais de rallonge.

Tout manquement à suivre ces consignes peut entraîner un incendie, un choc électrique ou la mort.

Il est important de veiller à avoir les raccordements électriques corrects.

Une alimentation électrique standard correctement mise à la terre, conformément au Code national de l'électricité et des codes et réglementations locaux est requise. La machine à glaçons doit toujours être branchée dans sa propre prise électrique individuelle. Il est recommandé de disposer d'un circuit séparé qui desserve uniquement votre machine à glaçons. Utilisez des prises qui ne peuvent pas être éteintes par un interrupteur ou chaîne (tirette). La taille du fusible (ou disjoncteur) doit être de 15 ampères.

Méthode recommandée de mise à la terre

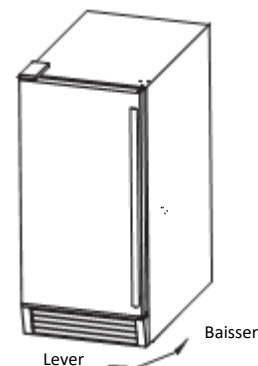
Pour votre sécurité personnelle, cet appareil doit être mis à la terre. Cet appareil est équipé d'un cordon d'alimentation électrique doté d'une fiche de mise à la terre à 3 broches. Pour réduire le risque possible de choc, le cordon d'alimentation doit être branché dans une prise murale homologue de type mis à la terre à 3 broches, mise à la terre conformément au Code national de l'électricité et aux codes et réglementations locaux. Si une prise murale homologue n'est pas disponible, il incombe au client de faire installer une prise murale à 3 broches correctement mise à la terre par un électricien qualifié.

Mise de niveau de la machine à glaçons

Il est important que la machine à glaçons soit bien mise de niveau pour fonctionner correctement. Sinon, il se peut que l'eau ne coule pas correctement dans l'évaporateur (moule à glaçons). La production de glaçons sera inférieure à la norme et peut être bruyante. Si vous découvrez que la surface n'est pas de niveau, tournez les roulettes jusqu'à ce que la machine à glaçons soit de niveau. Il se peut que vous ayez à effectuer plusieurs réglages pour la mettre de niveau. Nous recommandons l'utilisation d'un niveau de menuisier pour vérifier la machine à glaçons.

1. Placez un niveau de menuisier en haut de l'appareil pour voir si la machine à glaçons est de niveau de l'avant à l'arrière et d'un côté à l'autre.
2. Réglez la hauteur des roulettes comme suit :
Tournez les roulettes de mise de niveau dans le sens des aiguilles d'une montre pour baisser ce côté de la machine à glaçons. Tournez les roulettes de mise de niveau dans le sens inverse des aiguilles d'une montre pour élever ce côté de la machine à glaçons.

Vous découvrirez que les roulettes facilitent le déplacement de la machine à glaçons par une personne. C'est utile pour nettoyer et désinfecter la surface sur laquelle la machine à glaçons est installée, puisque cela vous permet de déplacer l'appareil et d'accéder facilement la surface à nettoyer.



Inverser l'ouverture de porte pour MIM50-O et MIM50V

Outils requis : Tournevis à tête plate, tournevis cruciforme

REMARQUE : Avant de commencer, débranchez la machine à glaçons ou coupez l'alimentation électrique.

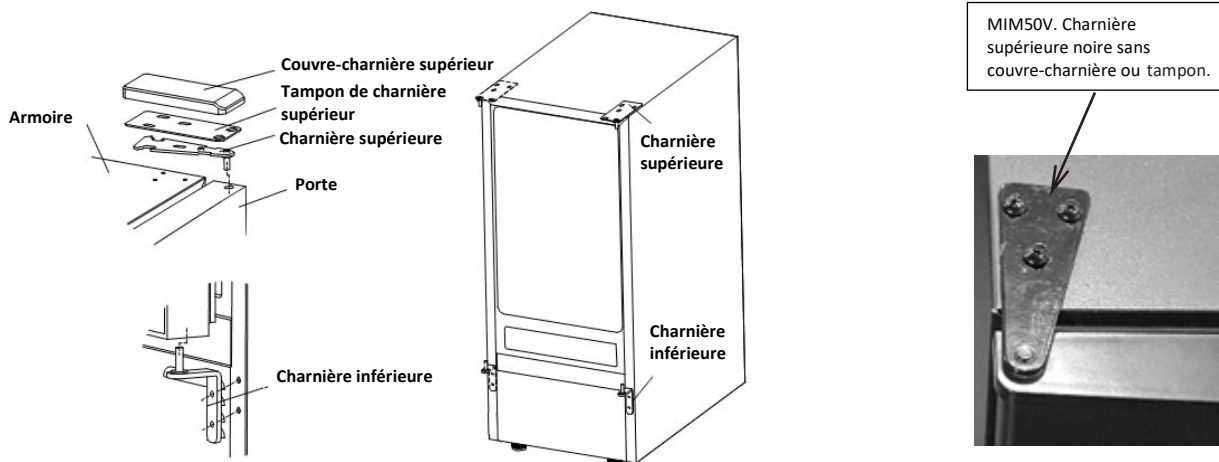
Pour retirer les portes des charnières

1. Retirez le couvre-charnière supérieur.
2. En vous servant d'un tournevis cruciforme, retirez les vis, retirez le tampon de charnière supérieur et la charnière supérieure. Gardez les pièces ensemble et mettez-les de côté. *(Le MIM50V a une charnière noire et aucun couvre-charnière ou tampon, mais elle est retirée de la même façon que la charnière supérieure MIM50-O.)*
3. Soulevez la porte de la charnière inférieure et mettez la porte de côté.

Pour remettre en place une porte sur charnières

1. En vous servant d'un tournevis à tête plate, retirez les boutons cache-trou des trous de vis du côté opposé aux charnières de porte, supérieure et inférieure. Mettez de côté.
2. Retirez la persienne avant. Mettez de côté.
3. Retirez la charnière inférieure et placez-la du côté opposé en bas de la porte. *(La charnière inférieure du MIM50V est retirée et installée de la même façon que la charnière inférieure du MIM50-O.)*
4. Positionnez la porte sur la charnière inférieure.
5. Alignez la porte sur la charnière inférieure et remettez la charnière supérieure et le tampon de charnière supérieur en place.
6. Remettez le couvre-charnière en place.
7. Enfoncez les boutons cache-trou dans les trous de vis originaux.

Voir la Figure ci-dessous :



Inverser l'ouverture de porte pour MIM50, MIM50P et MIM50P-O

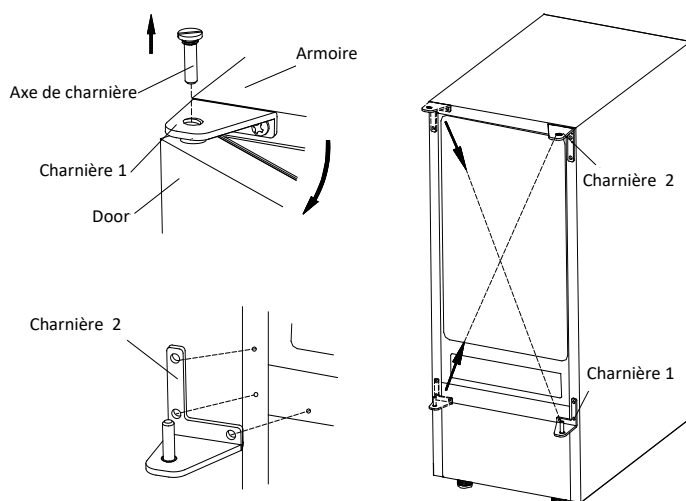
Pour retirer la porte des charnières :

1. En vous servant d'un tournevis à tête plate, séparez l'axe de la charnière 1. Mettez de côté.
2. Ouvrez la porte à environ 20° autour de l'axe de la charnière inférieure 2, puis soulevez la porte de la charnière inférieure 2 et mettez-la de côté.

Pour remettre une porte en place sur les charnières :

1. En vous servant d'un tournevis à tête plate, retirez les boutons cache-trou des trous de vis du côté opposé aux charnières de porte, supérieure et inférieure. Mettez de côté.
2. Remettez l'axe sur la charnière 1 et serrez-le fermement. Retirez la charnière 1 et placez-la du côté inférieur opposé.
3. Retirez la charnière 2 et placez-la du côté supérieur opposé. Séparez l'axe de la charnière 2 et mettez-le de côté.
4. Alignez la porte sur la charnière inférieure 1 et remettez l'axe sur la charnière 2. Serrez-le fermement. Placez la poignée sur le côté de la porte, éloigné du côté charnières.
5. Enfoncez les boutons cache-trou dans les trous de vis originaux.

Voir la Figure ci-dessous :



Alimentation en eau

L'alimentation en eau doit être prête au point d'installation. La pression d'alimentation en eau doit être de 1 bar ou 103 kPa (15 psi) minimum avec une pression statique maximum de 5,2 bars ou 517 kPa (75 psi). (Une prise murale située directement derrière la machine à glaçons facilitera l'installation.)

REMARQUE :

Toutes les installations doivent être conformes aux exigences des codes de plomberie locaux.

Une installation professionnelle est recommandée. Assurez-vous que les tuyaux ne sont pas pincés, entortillés ou endommagés pendant l'installation. Vérifiez s'il y a des fuites après le raccordement.

Outils requis

Clé à fourche de ½ po et tournevis cruciforme

Raccordement de la conduite d'eau

1. Fermez l'alimentation en eau principale. Ouvrez le robinet le plus proche suffisamment longtemps pour purger la conduite d'eau.
2. Trouvez une conduite verticale d'eau froide de 1,27 cm à 1,9 cm à proximité de l'emplacement de l'installation. La distance doit être inférieure à 1,83 m. Le tuyau d'alimentation en eau fourni avec la machine à glaçons mesure environ 1,83 m.
3. Un robinet d'arrêt doit être installé sur l'alimentation en eau principale. Si la conduite d'eau comporte un simple morceau de tube en cuivre, fixez une union à compression de 6,35 mm D.E. sur le tube et retirez l'écrou.
4. Raccordez l'écrou du tuyau d'alimentation en eau au robinet et raccordez l'autre extrémité à l'arrivée d'eau. Serrez fermement à la main, puis d'un demi tour avec la clé.

- Ouvrez l'alimentation en eau principale et le robinet. Recherchez les fuites au niveau des raccords de l'alimentation en eau. Serrez chaque raccord (y compris les raccords à l'arrivée d'eau).

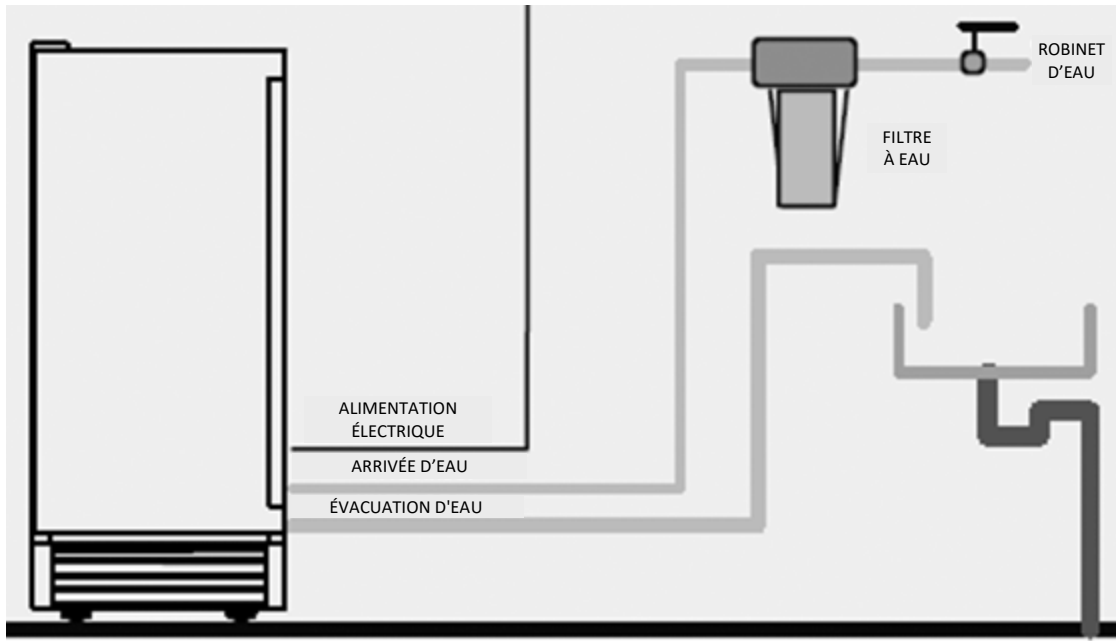
REMARQUE : Quand vous raccordez le tuyau d'alimentation en eau et le tuyau d'évacuation, faites attention aux indications d'« Arrivée d'eau » et de « Sortie d'évacuation » sur la machine à glaçons.

Évacuation

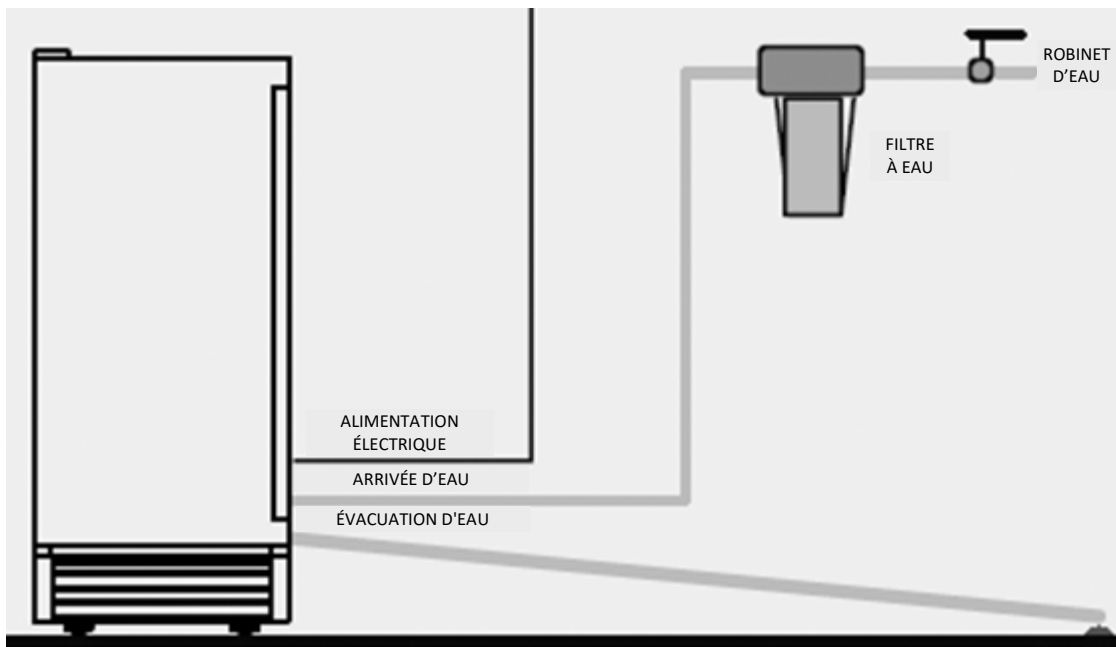
Vous devez raccorder la conduite d'évacuation avant d'utiliser la machine à glaçons. Veuillez suivre les étapes suivantes.

Il existe deux types de modes de machine à glaçons, une qui évacue par gravité et une qui comporte une pompe d'évacuation interne.

Les modèles *MIM50P* et *MIM50P-O* sont dotés d'une pompe d'évacuation interne qui peut pomper l'eau jusqu'à une hauteur de 1,5 m (59 po)



ou au-delà d'une longueur horizontale de 1,5 m (59 po).



Raccordement de la conduite d'évacuation

REMARQUE : S'il y a une conduite d'évacuation à proximité de la machine à glaçons, le choix préférable pour évacuer l'eau vers la conduite d'évacuation est par le biais du tuyau d'évacuation fourni avec la machine à glaçons.

1. Repérez le siphon de sol à proximité de la machine à glaçons. La distance doit être inférieure à 1,52 m, puisque la longueur du tuyau d'alimentation en eau long fourni avec la machine à glaçons est d'environ 1,52 m.
2. Trouvez la sortie d'évacuation à l'arrière de la machine à glaçons, retirez le bouchon de vidange arrière. Raccordez l'écrou de la sortie d'évacuation au tuyau d'évacuation de l'eau, insérez l'autre extrémité du tuyau dans la conduite d'évacuation.

REMARQUE : Ne permettez jamais au tuyau d'évacuation de pendre ou d'être enroulé plus haut que le fond du bac de stockage des glaçons.

3. Toutes les conduites d'évacuation horizontales doivent chuter de 6,35 mm par 30,48 cm. Une coupure anti-retour sera sans doute requise entre le tube d'évacuation de la machine à glaçons et le drain/récipient à déchets. Une colonne montante avec une trappe en dessous serait acceptable pour le récipient d'évacuation/à déchets. Un siphon au sol est également acceptable. Si cela n'est pas possible, Maxx Ice recommande l'utilisation d'une pompe à condensats. Proposée dans les quincailleries près de chez vous. *(Une pompe interne accompagne toujours les modèles MIM50P et MIM50P-O.)*
4. Versez 3,78 litres d'eau dans le bac de stockage des glaçons pour vérifier s'il y a des fuites à tous les raccords d'évacuation et à l'écrou de l'orifice d'eau d'évacuation. Serrez tous les raccords ou écrous qui fuient.

REMARQUE : Cette machine à glaçons n'est pas un congélateur. Les températures très chaudes entraîneront un taux de fusion élevé dans le bac de stockage des glaçons. Les glaçons s'évacueront au cours du temps. Un drain est requis.

TYPES D'INSTALLATION

Cette machine à glaçons a été conçue pour une installation mobile (autonome). Cependant, elle peut également être enfermée (sous une armoire) ou intégrée (scellée au sol). Dans tous les cas, il faut suffisamment d'espace d'air autour de l'appareil pour la ventilation.

Installation mobile

Une installation mobile vous permettra d'installer la machine à glaçons de manière autonome dans n'importe quel emplacement souhaité, à condition d'avoir accès à une alimentation en eau, à une alimentation électrique adéquate, à une évacuation et que vous ayez mis la machine à glaçons de niveau.

Installation enfermée

Une installation enfermée vous permettra d'installer la machine à glaçons sous une armoire, à condition de respecter le dégagement requis autour de la machine à glaçons, d'avoir accès à une alimentation en eau, à une alimentation électrique adéquate, à une évacuation et que vous ayez mis la machine à glaçons de niveau.

Installation intégrée

Si vous choisissez cette méthode d'installation, il sera encore nécessaire d'assurer un espace de ventilation adéquat autour de l'appareil. Il faut respecter les points supplémentaires suivants.

1. Placez la machine à glaçons devant l'emplacement d'installation. Retirez les pieds et placez l'appareil à plat sur le sol ou sur une plateforme, selon les exigences de votre installation.
2. La conduite d'alimentation en eau doit être reliée au réseau de plomberie avant d'être raccordée à la machine à glaçons.
3. La conduite d'évacuation doit être raccordée. Si vous ne disposez pas d'un siphon au sol, vous aurez besoin d'une pompe pour eau de condensation. Non requis pour les modèles *MIM50P et MIM50P-O* qui sont dotés d'une pompe d'évacuation interne.
4. Ouvrez l'alimentation en eau principale et le robinet. Recherchez les fuites au niveau des raccords de l'alimentation en eau. Serrez chaque raccord (y compris les raccords à l'arrivée d'eau).
5. Si la prise électrique de la machine à glaçons se trouve derrière l'armoire, branchez la machine à glaçons.
6. Poussez la machine à glaçons en place.
7. Scellez tout autour de l'armoire au sol avec un matériau d'étanchéité approuvé.

REMARQUE : Assurez-vous que le tuyau d'évacuation est raccordé dans la conduite d'évacuation et l'alimente avant de déplacer la machine à glaçons dans sa position finale.

UTILISATION

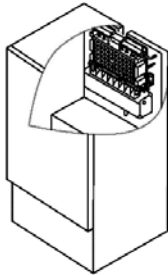
Liste de vérification finale avant l'utilisation

1. Tous les matériaux d'emballage et le ruban adhésif ont-ils été retirés de l'intérieur et l'extérieur de la machine à glaçons?
2. Avez-vous nettoyé le bac de stockage des glaçons?
3. Les instructions d'installation ont-elles été suivies, y compris concernant le raccordement de la machine à l'eau, l'évacuation et l'électricité?
4. La machine à glaçons a-t-elle été mise de niveau?
5. La machine à glaçons se trouve-t-elle dans un emplacement dont la température ambiante est comprise entre 10 °C (50 °F) et 37 °C (99 °F) et la température de l'eau est comprise entre 4 °C (40 °F) et 32 °C (90 °F) toute l'année?
6. Avez-vous vérifié que la pression d'alimentation en eau est de 1 bar ou 103 kPa (15 psi) minimum, avec une pression statique maximum de 5,2 bars ou 517 kPa (75 psi)?
7. Existe-t-il un dégagement d'au moins 102 mm (4 po) à l'arrière et d'au moins 25 mm (1 po) sur le dessus et les côtés pour une circulation adéquate de l'air?
8. La tension de l'alimentation électrique a-t-elle été vérifiée ou testée selon les spécifications de la plaque signalétique? Une mise à la terre adéquate a-t-elle été installée dans la machine à glaçons?
9. La machine à glaçons est-elle branchée?
10. Avez-vous ouvert l'alimentation en eau principale et le robinet?
11. Avez-vous vérifié qu'il n'existe pas de fuite au niveau de tous les raccords d'alimentation en eau?

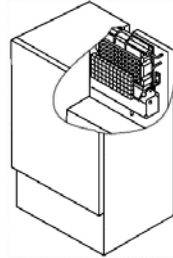
Méthode d'utilisation

1. Ouvrez le robinet d'eau, laissez la cuvette d'eau se remplir, puis appuyez sur le bouton ON/OFF (MARCHÉ/ARRÊT) sur le panneau avant. La machine à glaçons commencera fonctionner automatiquement.

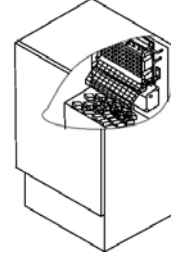
Phase de production des glaçons



Phase de récolte des glaçons



Phase de bac de stockage plein



2. Au bout de 3 minutes, la machine à glaçons passera automatiquement à la phase de production des glaçons et vous entendrez le son d'eau qui coule.
3. Une fois que le lot de glaçons est entièrement formé, les glaçons seront automatiquement récoltés dans le bac de stockage des glaçons.
4. Quand le bac de stockage des glaçons est plein, la plaque de glaçons ne tombera pas complètement et gardera la sonde de bac plein ouverte. La machine à glaçons s'arrête de produire des glaçons automatiquement.
5. L'appareil recommencera à produire des glaçons une fois que les glaçons sont retirés. Alors la sonde de bac plein retourne en position de fonctionnement.
6. Voyant de bac (si présente) (*standard sur les modèles MIM50P et MIM50P-O*) : Le voyant du bac est contrôlé par un commutateur à lames installé sur la surface intérieure de la porte. Il est allumé ou éteint automatiquement lorsque la porte est ouverte ou fermée.
7. Système d'évacuation de l'eau à pompe (si vous l'utilisez) (*standard sur les modèles MIM50P et MIM50P-O*) : Dès que l'eau de glaçons fondus ou autre eau de trop-plein dans la citerne d'eau atteint le niveau maximum, l'interrupteur du niveau d'eau se ferme et transmet un courant basse tension à la carte de circuit imprimé. La carte de circuit imprimé active la pompe d'évacuation d'eau pendant 20 secondes pour pomper la majorité de l'excès d'eau de la citerne d'eau.

REMARQUE :

- **Bien que l'appareil ait été testé et nettoyé en usine, il faut jeter le premier lot de glaçons en raison du transport et de l'entreposage de longue durée.**
- **Ne fermez jamais le robinet d'alimentation en eau pendant que la machine à glaçons est en marche.**
- **Ne touchez pas l'évaporateur pendant que la machine est en marche!**
- **Sauf dans les cas où vous prenez des glaçons de l'appareil, gardez la porte fermée afin d'éviter que les glaçons fondent et de favoriser une bonne formation de glaçons.**

Comment la machine à glaçons produit des glaçons

Réglez le bouton ON/OFF (MARCHÉ/ARRÊT) en position ON (MARCHÉ). La machine à glaçons passera automatiquement à la phase de production des glaçons. Il y a deux cycles distincts : congeler et récolter.

1. Pendant le cycle congeler, l'eau coule vers la surface de l'évaporateur.
2. Pendant le cycle récolter, les glaçons sont libérés et l'eau pénètre dans la machine à glaçons.

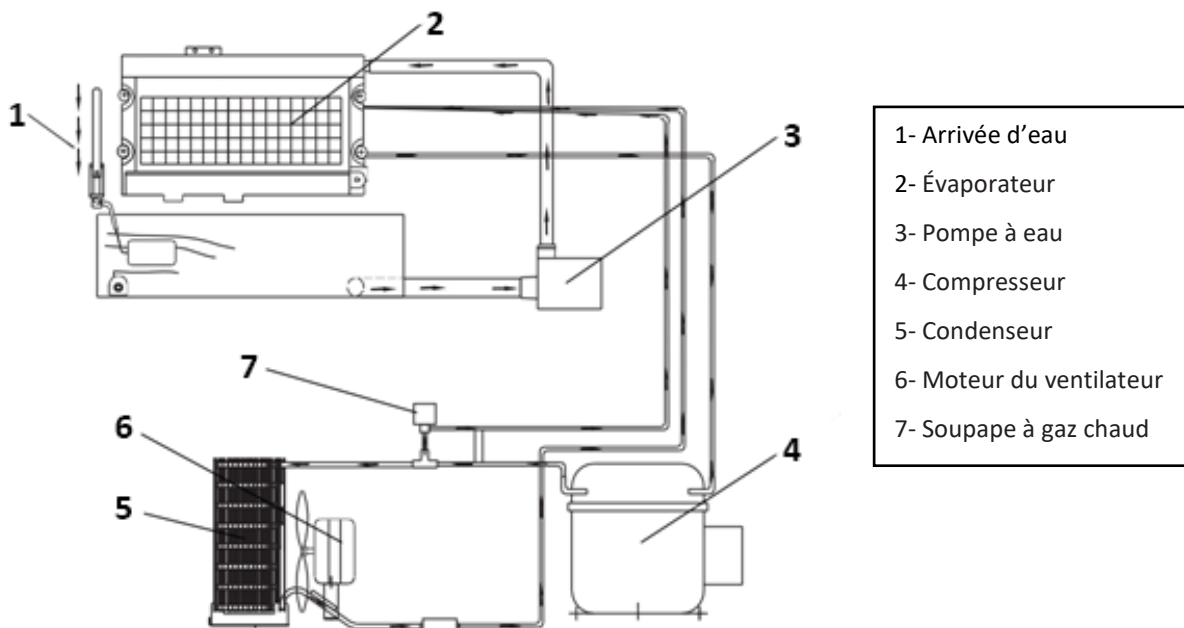
20 minutes : Un cycle complet dure environ 20 minutes, mais sa durée exacte dépend de la température et des conditions d'utilisation.

Congeler : Pendant le cycle congeler, le compresseur pompe le réfrigérant, le moteur du ventilateur souffle de l'air et la pompe à eau fait circuler l'eau. Une fois que le lot de glaçons est entièrement formé, la machine à glaçons interrompt le cycle congeler et le cycle récolter démarre.

Récolter : Pendant le cycle récolter, le compresseur continue à fonctionner mais la pompe à eau s'est arrêtée. La soupape à gaz chaud s'ouvre, pour rediriger le gaz réfrigérant chaud dans l'évaporateur. Le gaz réfrigérant chaud chauffe l'évaporateur et fait ainsi glisser les glaçons de l'évaporateur dans le bac de stockage. Le cycle congeler redémarrera une fois que tous les glaçons sont récoltés.

Comment la machine à glaçons utilise l'eau

La machine à glaçons commence avec une charge d'eau fixe contenue dans la cuvette d'eau. Tandis que l'eau coule vers la surface de congélation de l'évaporateur, la portion de l'eau qui ne contient pas d'impuretés minérales gèle et colle aux moules à glaçons. L'eau qui contient des impuretés retourne dans la cuvette d'eau. Pendant le processus de production des glaçons, l'eau fraîche pénètre dans la cuvette d'eau de manière continue, à mesure que l'eau de la cuvette gèle de manière continue dans l'évaporateur.



FONCTIONNEMENT DU SYSTÈME D'ÉVACUATION MIM50P et MIM50P-O

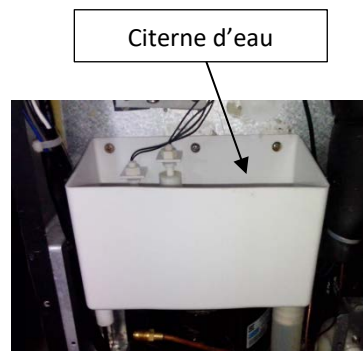
Fonctionnement du système d'évacuation quand l'eau est pompée

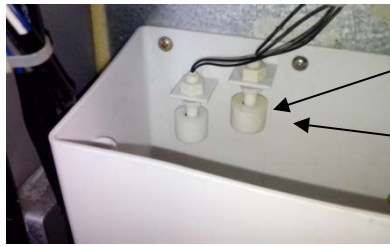
Les composants du système d'évacuation de l'eau pompée sont

- Citerne d'eau
- Carte de circuit imprimé et interrupteur du niveau d'eau 1, 2
- Pompe d'évacuation d'eau

Fonctionnement de la pompe d'évacuation

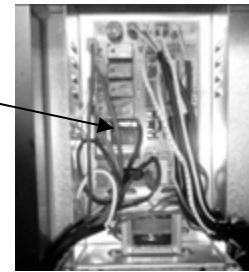
- Toute l'eau provenant du trop-plein et des glaçons fondus est recueillie dans la citerne d'eau.
- Dès que l'eau de glaçons fondus ou autre eau de trop-plein dans la citerne d'eau atteint le niveau maximum, l'interrupteur du niveau d'eau 1 se ferme et transmet un courant basse tension à la carte de circuit imprimé.





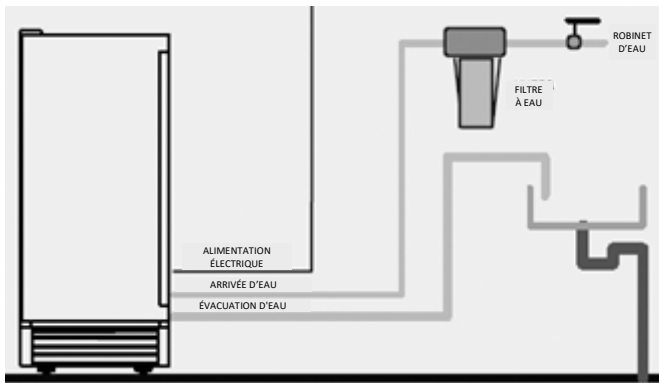
Interrupteur du niveau d'eau 2

Interrupteur du niveau d'eau 1



Carte de circuit imprimé

- La carte de circuit imprimé active la pompe d'évacuation d'eau pendant 20 secondes pour pomper la majorité de l'eau contenue dans la citerne d'eau.
- L'eau peut être pompée jusqu'à une hauteur de 1,5 m (59 po) ou



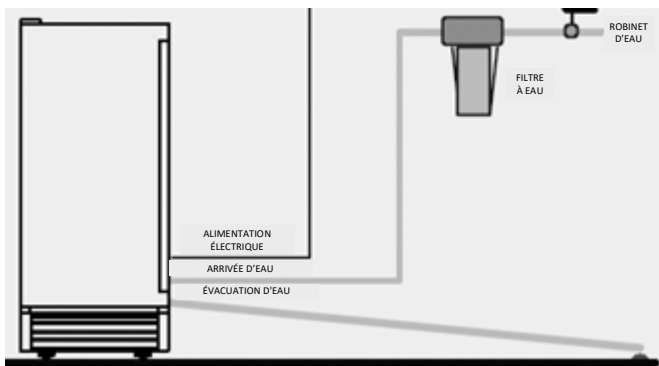
REMARQUE :

La sortie du tuyau d'évacuation doit être élevée au-dessus de la surface de l'eau pour empêcher l'eau évacuée de retourner dans la citerne d'eau.

AVERTISSEMENT!

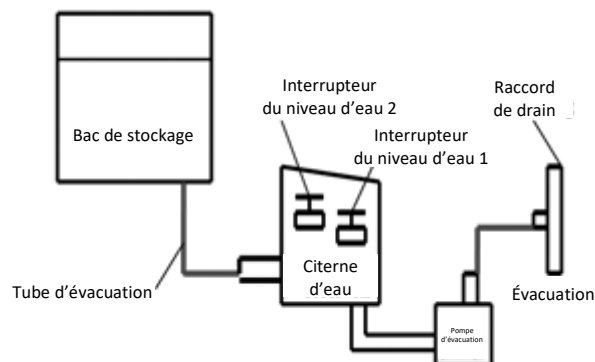
Si le signal d'alarme sonne, éteignez la machine à glaçons et l'alimentation en eau, retirez tous les glaçons du bac de stockage des glaçons et essuyez toute eau qui aurait pu déborder. Vérifiez s'il y a de l'eau dans la cuvette d'eau à l'arrière de l'appareil; s'il n'y en a pas, il se peut que la pompe d'évacuation ne reçoive pas une alimentation électrique adéquate. Vérifiez la source d'alimentation électrique. Si vous pouvez résoudre le problème, remettez l'appareil en marche. Vérifiez également qu'aucune des conduites d'eau est entortillée. Si le problème persiste, communiquez avec le service à la clientèle.

au-delà d'une longueur horizontale de 1,5 m (59 po).



- Si l'interrupteur du niveau d'eau 2 se ferme et transmet un courant basse tension à la carte de circuit imprimé, celle-ci active le signal d'alarme pour vous informer d'une défaillance possible de la pompe d'évacuation, de l'interrupteur du niveau d'eau ou du tube d'évacuation.

Diagramme schématique du système d'évacuation



Sons normaux

Votre nouvelle machine à glaçons émet des sons qui vous sont peu familiers. La plupart des nouveaux sons sont normaux. Les surfaces dures telles que le sol et les murs peuvent amplifier les sons. La liste suivante décrit les types de sons qui peuvent vous sembler inhabituels et ce qui peut les causer.

- Des bruits de crécelle peuvent provenir du débit du réfrigérant ou de la conduite d'eau. Un article entreposé sur le dessus de la machine à glaçons peut également faire du bruit.
- Le compresseur haute efficacité peut émettre un son modulé ou aigu.
- L'eau courante peut faire un bruit d'éclaboussement.
- Il se peut que vous entendiez l'air forcé au-dessus du condenseur par le ventilateur du condenseur.
- Pendant le cycle récolter, il se peut que vous entendiez le son de glaçons qui tombent dans le bac de stockage des glaçons.

Préparation de la machine à glaçons pour un entreposage à long terme

Si la machine à glaçons n'est pas utilisée pendant une longue période ou déplacée, il faut évacuer l'eau du système.

1. Fermez l'alimentation en eau à la source d'alimentation en eau principale.
2. Débranchez la conduite d'alimentation en eau de l'arrivée d'eau.
3. Fermez l'alimentation électrique à la source d'alimentation électrique principale.
4. Sortez le bac de stockage des glaçons pour retirer les glaçons et l'eau restants. Séchez le bac.
5. Tirez le tube d'évacuation pour le retirer de la cuvette d'eau et évacuer toute l'eau.
6. Gardez la porte ouverte pour permettre la ventilation et empêcher la moisissure.
7. Laissez la conduite d'alimentation en eau et le cordon d'alimentation déconnectés jusqu'à ce que vous soyez prêt(e) à les utiliser à nouveau.

REMARQUE : Ne touchez pas la fiche d'alimentation avec les mains mouillées. Ne débranchez jamais l'appareil en tirant sur le cordon d'alimentation. Saisissez la fiche et retirez-la fermement.

NETTOYAGE ET ENTRETIEN

ATTENTION

Si la machine à glaçons n'est pas utilisée pendant une longue période, il faut la nettoyer à fond avant l'utilisation suivante. Suivez scrupuleusement les instructions de nettoyage fournies pour nettoyer ou utiliser des solutions désinfectantes. Ne laissez aucune solution désinfectante à l'intérieur de la machine à glaçons après le nettoyage.

Un nettoyage et un entretien régulier assureront l'efficacité, un rendement supérieur et une longue durée de vie. Les intervalles d'entretien stipulés le sont en fonction de conditions normales. Il se peut que vous ayez à les rapprocher si vous avez des animaux familiers ou dans d'autres cas spéciaux.

Ce qu'il ne faut pas faire.

Ne gardez jamais rien d'autre que les glaçons dans le bac de stockage des glaçons : les objets tels que les bouteilles de vin et de bière sont non seulement insalubres mais les étiquettes peuvent se décoller et boucher l'évacuation.

Les pièces qu'il faut garder propres.

1. L'extérieur
2. L'intérieur
3. Le condenseur
4. Tube de distribution d'eau
5. Le système de production des glaçons

AVERTISSEMENT

Avant d'entamer le nettoyage et l'entretien, assurez-vous que la ligne électrique de l'appareil est déconnectée et que la conduite d'eau est fermée.

Nettoyage de l'extérieur

La porte et l'armoire peuvent être nettoyées avec une solution de détergent doux et d'eau, comme 29,6 ml de liquide vaisselle mélangé dans 7,5 litres d'eau chaude. N'utilisez pas de nettoyeurs à base de solvant ou abrasifs. Utilisez une éponge douce et rincez à l'eau claire. Essayez avec une serviette propre et douce pour éviter les taches d'eau.

Si le panneau de porte est en acier inoxydable, celui-ci peut changer de couleur quand il est exposé au chlore gazeux et à l'humidité. Nettoyez l'acier inoxydable avec un détergent doux, une solution d'eau chaude et un linge humide. N'utilisez jamais d'agents nettoyeurs abrasifs.

Nettoyage de l'intérieur

Le bac de stockage des glaçons doit être désinfecté de temps en temps. Nettoyez la cuvette d'eau avant d'utiliser la machine à glaçons pour la première fois ou de l'utiliser à nouveau après une interruption de longue durée. Il est en général pratique de désinfecter la cuvette une fois que le système de production des glaçons a été nettoyé et le bac de stockage des glaçons est vide.

1. Coupez l'alimentation électrique de l'appareil.
2. Ouvrez la porte et retirez le bac de stockage des glaçons amovible. En vous servant d'un linge propre, essuyez l'intérieur de l'appareil et le bac de stockage des glaçons avec une solution désinfectante comprenant 29,6 ml d'eau de Javel ou chlore à usage domestique et 7,57 litres d'eau chaude (35 à 46 °C [95 à 115 °F]).
3. Rincez complètement à l'eau claire.
4. Dévissez l'écrou d'évacuation pour vidanger complètement.
5. Remettez le bac de stockage des glaçons dans l'appareil.
6. Rétablissez l'alimentation électrique à l'appareil.

La pelle à glaçons doit être nettoyée régulièrement. Lavez-la comme tout autre conteneur d'aliments.

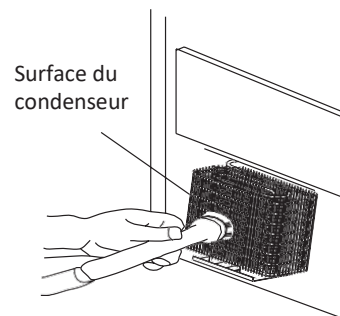
AVERTISSEMENT

N'utilisez PAS d'agents nettoyeurs à base de solvant ou abrasifs sur l'intérieur. Ces produits de nettoyage peuvent donner un mauvais goût aux glaçons et endommager ou décolorer l'intérieur.

Nettoyage du condenseur

Un condenseur sale ou bouché empêche un débit d'air adéquat, réduit la capacité de production des glaçons et entraîne des températures de fonctionnement plus élevées que celles recommandées, ce qui pourrait causer une défaillance des composants. Faites nettoyer le condenseur au moins une fois tous les six mois.

1. Débranchez la machine à glaçons ou coupez l'alimentation électrique.
2. Retirez doucement la persienne avant. *(Sur le MIM50-O uniquement, retirez deux vis qui tiennent la persienne avant fermement en place, puis retirez la persienne.)*
3. Éliminez la saleté et la peluche du condenseur et du compartiment de l'appareil avec la brosse d'un aspirateur.
4. Réassemblez la persienne avant inférieure.
5. Branchez la machine à glaçons ou rétablissez l'alimentation électrique.



Nettoyage du tube de distribution d'eau

Lorsque vous remarquez que les glaçons sont mal formés ou que la production de glaçons est lente, il se peut que le tube de distribution d'eau soit bloqué. Éteignez l'interrupteur d'alimentation électrique, retirez doucement le tube de distribution d'eau, repérez ses trous et servez-vous d'un objet pointu, tel qu'un cure-dent ou outil similaire pour curer les trous. Remettez ensuite le tube de distribution d'eau en place dans sa position originale. Si le tube est sérieusement bloqué, nettoyez-le comme suit :

1. Fermez l'alimentation en eau.
2. Déconnectez le tuyau d'eau du tube de distribution.
3. Retirez doucement le tube de distribution.
4. Avec une brosse, nettoyez le tube en utilisant une solution diluée d'eau chaude et d'un détergent doux tel qu'un liquide vaisselle. Après avoir retiré la saleté et les peluches de la surface, rincez le tube à l'eau propre.
5. Remettez le tube de distribution en place.
6. Raccordez à nouveau l'alimentation en eau.

Nettoyage et assainissement du système de production des glaçons

Les dépôts minéraux qui sont éliminés de l'eau pendant le cycle de congélation formeront éventuellement un dépôt dur et écailleux dans le système d'eau. Nettoyer le système régulièrement aidera à éliminer l'accumulation de tartre minéral. La fréquence avec laquelle vous avez besoin de nettoyer le système dépend de la teneur en calcaire de votre eau ou de l'efficacité de votre filtration. Avec l'eau à teneur en calcaire de 4 à 5 grains par litre (15 à 20 grains par gallon), il se peut que vous ayez à nettoyer le système tous les 6 mois.

1. Assurez-vous qu'il n'y a aucun glaçon dans l'évaporateur. En cas de formation de glaçons, attendez que le cycle soit terminé, puis appuyez sur l'interrupteur ON/OFF (MARCHE/ARRÊT) de la machine à glaçons sur le panneau de commande.
2. Retirez tous les glaçons du bac de stockage des glaçons.
3. Gardez la machine à glaçons raccordée à l'alimentation en eau. Versez 236 ml d'une solution nettoyante de machine à glaçons dans la cuvette d'eau. Ensuite, appuyez sur l'interrupteur ON/OFF (MARCHE/ARRÊT) et le bouton CLEAN (NETTOYER) pour entamer le cycle de lavage. La machine à glaçons fonctionnera en mode Nettoyage automatique.

4. Accordez 30 minutes pour un nettoyage complet. Après le nettoyage, appuyez à nouveau sur l'interrupteur ON/OFF (MARCHE/ARRÊT). Utilisez un tuyau d'évacuation à l'avant de la cuvette d'eau pour évacuer les eaux usées dans un conteneur pratique. N'évacuez pas les eaux usées vers l'intérieur de l'armoire.
5. Répétez les étapes 3 et 4 (sans solution de nettoyage de la machine à glaçons) trois fois, pour rincer complètement le système de production des glaçons.
6. Ensuite, préparez une solution désinfectante comprenant 29,6 ml d'eau de Javel à usage domestique et 7,57 litres d'eau chaude (35 à 46 °C [95 à 115 °F]). Remplissez une bouteille de pulvérisation de la solution désinfectante et pulvérisez tous les coins et bords pour vous assurer de couvrir toutes les surfaces avec la solution. Essuyez le bac tout entier, à l'intérieur et l'extérieur, en couvrant toute la surface des parois. Laissez la solution reposer pendant au moins 3 minutes, puis séchez.
7. Répétez les étapes 1 à 5 avec la solution désinfectante de l'étape 6 (eau de Javel et eau). Remplissez la cuvette d'eau au niveau maximum.
8. Répétez les étapes 3 et 4 pour rincer le système de production des glaçons une fois de plus.
9. Appuyez à nouveau sur le bouton ON/OFF (Marche/Arrêt). La machine à glaçons se remettra automatiquement en phase de production des glaçons. Jetez le premier lot de glaçons.

AVERTISSEMENT

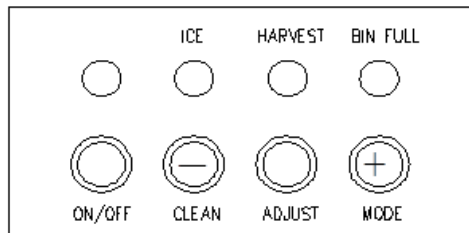
Le nettoyant pour machine à glaçons contient des acides.

Ne l'utilisez et Ne le mélangez avec AUCUN autre produit de nettoyage à base de solvant. Utilisez des gants en caoutchouc pour protéger vos mains.

Lisez avec soin les consignes de sécurité relatives aux substances stipulées sur le conteneur du nettoyant pour machine à glaçons. Jetez le premier lot de glaçons produits après le nettoyage.

PANNEAU DE COMMANDE

**MIM50V / MIM50 / MIM50P /
MIM50P-O**
Porte avant intérieure



MIM50-O
Porte avant intérieure



Dos

(Derrière le panneau d'accès)



Description des voyants à DEL et des boutons

1. **Voyant à DEL (rouge) BIN FULL (Bac plein)** : Voyant lumineux de bac plein
Lorsque ce voyant est allumé, le bac de stockage des glaçons est rempli de glaçons ou quelque chose bloque la sonde bac plein. L'appareil cesse de fonctionner. Une fois que les glaçons sont retirés du bac de stockage des glaçons, ce qui libère la sonde bac plein, le voyant DEL rouge continue de clignoter pendant 3 minutes, puis l'appareil se remettra en marche et en phase de production des glaçons.
2. **Voyant à DEL (vert) ICE (Production des glaçons)** : Voyant lumineux de production des glaçons
Lorsque ce voyant est illuminé, l'appareil fonctionne en phase de production de glaçons contrôlée par un détecteur de température.
3. **Voyant à DEL (jaune) HARVEST (Récolte des glaçons)** : Voyant lumineux de récolte des glaçons
Lorsque ce voyant est illuminé, l'appareil fonctionne en phase de récolte de glaçons contrôlée par la sonde de bac plein.
4. **Bouton Mode** : Principalement pour l'entretien. Lorsqu'il est appuyé, la phase de production des glaçons passe à la phase récolte des glaçons ou vice-versa. La phase peut être évaluée en fonction du statut des voyants DEL vert et jaune.
5. **Bouton Adjust (Régler)** : Doit être utilisé par un technicien de service autorisé.

FONCTIONS IMPORTANTES

1. La procédure de fonctionnement est entièrement automatique.
2. Lorsque le bac de stockage des glaçons est rempli de glaçons, la machine à glaçons arrête de produire des glaçons automatiquement. Elle recommencera à produire des glaçons une fois que les glaçons sont retirés.
3. Les couleurs différentes de l'affichage à DEL indique les diverses phases de fonctionnement.
4. Une sonde sensible et une minuterie précise améliorent le rendement de la machine à glaçons.
5. Un système de protection du compresseur est intégré.

DÉPANNAGE

Problème	Cause possible	Solution probable
La machine à glaçons ne fonctionne pas.	La machine à glaçons est débranchée.	Branchez la machine à glaçons.
	Le fusible est grillé.	Remplacez le fusible. Si cela se produit à nouveau, faites appel à un service pour vérifier s'il y a un court-circuit dans l'appareil.
	Le bouton On/Off (Marche/Arrêt) de la machine à glaçons est en position OFF (ARRÊT).	Mettez le bouton On/Off (Marche/Arrêt) de la machine à glaçons sur ON (MARCHE).
	Le bac de stockage des glaçons est rempli de glaçons.	Retirez quelques glaçons. Assurez-vous que la sonde de bac plein n'est pas entravée par des glaçons.
Aucune alimentation en eau une fois que la machine à glaçons démarre.	Le robinet d'alimentation en eau est fermé.	Ouvrez le robinet d'alimentation en eau.
	La conduite d'alimentation en eau n'est pas raccordée correctement.	Raccordez à nouveau la conduite d'alimentation en eau.
La machine produit des glaçons mais le bac ne se remplit pas de glaçons.	Il se peut que le condenseur soit sale.	Nettoyez le condenseur.
	Il se peut que le débit d'air à la machine à glaçons soit bouché.	Vérifiez l'installation.
	Les températures ambiante et de l'eau sont élevées ou l'appareil se trouve à proximité d'une source de chaleur.	Vérifiez l'installation.
L'eau fuit de l'appareil.	Quelques gouttes d'eau tombent par terre lorsque vous ouvrez la porte pour sortir des glaçons du bac de stockage des glaçons.	Une condensation normale sur la porte ou un peu d'eau avec les glaçons. Faites attention lorsque vous sortez des glaçons.
	Le raccordement d'alimentation en eau fuit.	Serrez le raccord. <i>Voir Raccordement de la conduite d'eau.</i>
	Le conduit d'évacuation est plus haut que la sortie d'évacuation. (Applicable à MIM50V/50/50-O seulement. MIM50P/50P-O a une pompe d'évacuation)	Baissez le conduit d'évacuation.
Les glaçons sont partiellement formés ou blancs au fond.	Pas suffisamment d'eau dans la cuvette d'eau.	Vérifiez si la pression d'alimentation en eau est inférieure à 103 kPa (15 psi).
		Vérifiez l'alimentation en eau--il se peut que le filtre soit restreint.
		Vérifiez s'il y a une fuite dans la cuvette d'eau.
Du bruit pendant l'utilisation	Les pieds ne sont pas de niveau ni verrouillés.	Mettez les pieds de niveau et verrouillez-les. <i>Voir Mise de niveau de la machine à glaçons.</i>
	Certains sons sont normaux.	<i>Voir Sons normaux.</i>
La machine à glaçons s'arrête brusquement pendant la production des glaçons.	L'électricité est éteinte.	Raccordez à nouveau la ligne d'alimentation électrique.
	La température ambiante sort de la plage stipulée.	Coupez l'électricité, laissez la machine à glaçons déconnectée jusqu'à ce que la température revienne à la plage stipulée.
	Le bac de stockage des glaçons est rempli de glaçons.	Retirez quelques glaçons et assurez-vous que la sonde de bac plein n'est pas entravée par des glaçons.
Le corps de la machine à glaçons est électrisé.	La ligne mise à la terre n'est pas dans la prise.	Servez-vous d'une prise conforme aux exigences de mise à la terre.
L'entartrage est fréquent à l'intérieur de l'appareil.	Le niveau de dureté de l'eau est trop élevé.	Installez un dispositif d'adoucissement de l'eau avant l'arrivée d'eau.
De l'eau fuit du bac de stockage des glaçons.	L'orifice d'évacuation en dessous du bac de stockage des glaçons est bloqué.	Retirez le bac de stockage des glaçons et nettoyez l'orifice d'évacuation.
	Le tuyau d'évacuation est entortillé ou mal placé, plus haut que le fond du bac de stockage des glaçons.	Vérifiez le tuyau d'évacuation pour vous assurer que l'eau peut s'évacuer sans entraves.
Alarme sonore. (Applicable aux modèles MIM50P et MIM50P-O uniquement)	Problème pour pomper l'eau.	Vérifiez que la pompe d'évacuation d'eau, l'interrupteur du niveau d'eau et le tube d'évacuation fonctionnent correctement.

Tabla de contenido

SEGURIDAD DE LA MÁQUINA DE HACER HIELO.....	39
DISPOSICIONES DE SEGURIDAD IMPORTANTES.....	39
INFORMACIÓN TÉCNICA.....	41
INTRODUCCIÓN.....	41
UBICACIONES DE COMPONENTES.....	42
INSTALACIÓN DE LA MÁQUINA DE HACER HIELO.....	43
Quitar los materiales de empaque.....	43
Limpieza antes de usar.....	43
Espacio de separación para la instalación.....	43
Requisitos eléctricos.....	44
Método recomendado de conexión a tierra.....	44
Nivelar la máquina de hacer hielo.....	44
Cómo cambiar el sentido en que abren las puertas de MIM50-O y MIM50V.....	45
Cómo cambiar el sentido en que abren las puertas de MIM50, MIM50P y MIM50P-O.....	46
Suministro de agua.....	46
Herramientas necesarias.....	46
Desagüe.....	47
TIPOS DE INSTALACIÓN.....	48
Instalación móvil.....	48
Instalación empotrada.....	48
Instalación integrada.....	48
OPERACIÓN.....	49
Lista de verificación final antes de hacerla funcionar.....	49
Método de operación.....	49
Cómo hace hielo la máquina.....	50
Cómo consume el agua la máquina hace hielo.....	50
OPERACIÓN DEL SISTEMA DE DESAGÜE DE MIM50P Y MIM50P-O.....	50
Cómo opera el sistema de desagüe cuando el agua se bombea hacia afuera.....	50
Operación de la bomba de desagüe.....	50
Sonidos normales.....	52
Preparar la máquina de hacer hielo para su almacenaje prolongado.....	52
LIMPIEZA Y MANTENIMIENTO.....	53
¿Qué no se debe hacer?.....	53
¿Qué partes deben mantenerse limpias?.....	53
Limpieza del exterior.....	53
Limpieza del interior.....	53
Limpieza del condensador.....	54
Limpieza del tubo de distribución de agua.....	54
Limpieza y desinfección del sistema de hacer hielo.....	54
PANEL DE CONTROL.....	55
Descripción de LEDs y botones.....	55
FUNCIONES PRINCIPALES.....	56
SOLUCIÓN DE PROBLEMAS.....	56

Las compañías Legacy se reservan el derecho a cambiar especificaciones y diseño sin previo aviso.

GUARDA ESTAS INSTRUCCIONES

SEGURIDAD DE LA MÁQUINA DE HACER HIELO

Tu seguridad y la de los demás son muy importantes.

Hemos colocado muchos mensajes importantes de seguridad en este manual y en tu electrodoméstico.

Nunca dejes de leer y cumplir con todos los mensajes de seguridad.



Este es el símbolo de alerta de seguridad. Este símbolo alerta sobre peligros potenciales que pueden causar lesiones o muerte a ti y a otros. Todos los mensajes de seguridad siguen al símbolo de alerta de seguridad y las palabras **“PELIGRO”, “ADVERTENCIA” O “PRECAUCIÓN”**.

¡PELIGRO!

PELIGRO significa que ignorar este mensaje de seguridad pudiera resultar en una lesión personal grave o la muerte.

ADVERTENCIA

ADVERTENCIA significa que ignorar este mensaje de seguridad pudiera resultar en considerables daños al producto, lesión personal grave o la muerte.

PRECAUCIÓN

PRECAUCIÓN significa que ignorar este mensaje de seguridad pudiera resultar en lesiones personales leves o moderadas, así como en daños a bienes o equipos.

Todos los mensajes de seguridad te alertarán sobre cuál es el peligro potencial, te indicarán cómo reducir la probabilidad de lesión y te harán saber qué puede pasar si no se siguen las instrucciones.

ADVERTENCIA

Para reducir el riesgo de incendios, descargas eléctricas o lesiones personales al usar tu máquina de hacer hielo, cumple con estas precauciones elementales:

- Enchufar en tomacorriente de 3 clavijas con conexión a tierra.
- No quitar la clavija de conexión a tierra.
- No usar adaptador.
- No usar cables de extensión.
- Desconectar de la electricidad antes de limpiar.
- Desconectar de la electricidad antes de dar mantenimiento.
- Reemplazar todos los paneles antes de operar.
- Emplear dos o más personas para trasladar e instalar la máquina de hacer hielo.

DISPOSICIONES DE SEGURIDAD IMPORTANTES



Antes de usar la máquina de hacer hielo debe colocarse e instalarse bien, tal y como lo describe este manual; léelo cuidadosamente. Maxx Ice recomienda enfáticamente contratar a un profesional para instalar tu nueva máquina.

La garantía pudiera verse afectada o anulada por una instalación incorrecta. Para reducir el riesgo de incendios, descargas eléctricas o lesiones personales al usar la máquina de hacer hielo, cumple con estas precauciones elementales:

- Conecta a un tomacorriente para 3 clavijas con conexión a tierra; no elimines la clavija de conexión a tierra ni uses adaptadores o cables de extensión.
- Se recomienda disponer de un circuito separado dedicado solo a la máquina de hacer hielo.
- Usa receptáculos que no puedan apagarse por interruptor de botón ni de cadena.
- No conectes ni desconectes el enchufe eléctrico con las manos húmedas.
- Jamás desconectes la máquina de hacer hielo halando el cable de suministro de electricidad. Siempre toma el enchufe firmemente y hala directamente desde el tomacorriente.
- Nunca limpies la máquina de hacer hielo con fluidos inflamables. No almacenes ni uses gasolina ni otros líquidos o vapores inflamables en lugar cercano a este electrodoméstico. Los vapores pueden generar peligro de incendio o explosión.
- Antes de proceder a operaciones de mantenimiento y limpieza, asegúrate de que la línea de suministro de electricidad a la unidad esté desconectada y cerrada la línea de agua.
- Coloca todos los paneles de vuelta en su lugar antes de hacerla funcionar.
- Nunca permitas que los niños operen, jueguen o se metan dentro de la máquina de hacer hielo.
- No toques el evaporador con la mano cuando la máquina de hacer hielo está funcionando.
- Desconecta la máquina de hacer hielo o la fuente de corriente eléctrica antes de limpiar o dar mantenimiento. Dejar de hacerlo puede resultar en descarga eléctrica o muerte. No intentes reparar ni reemplazar ninguna pieza de la máquina de hacer hielo a menos que esté recomendado específicamente en este manual. Los demás servicios de mantenimiento debe prestarlos un técnico calificado.

ADVERTENCIA

- Emplea dos personas o más para trasladar e instalar la máquina de hacer hielo. No hacerlo puede resultar en lesiones de la espalda y otras.
- **Nunca instales ni operes la unidad a puertas cerradas.** Para garantizar la ventilación adecuada de tu máquina de hacer hielo, la parte frontal de la unidad debe estar completamente despejada. Seleccionar un área bien ventilada con temperatura ambiente de entre 50°F (10°C) y 99°F (37°C). Esta unidad DEBE instalarse en un área protegida de los elementos tales como viento, lluvia, rocío o gotas de agua.
- La máquina de hacer hielo no debe ubicarse cerca de hornos, parrillas ni otras fuentes de mucho calor.
- Esta máquina de hacer hielo debe instalarse con todas las conexiones eléctricas y de agua conforme a los códigos estatales y locales. Se requiere un suministro de electricidad estándar, bien conectado a tierra, conforme al Código Nacional de Electricidad y los códigos y ordenanzas locales.
- No tuerzas ni aprietes el cable de suministro de electricidad entre la máquina de hacer hielo y el gabinete.
- El tamaño del fusible (o disyuntor de circuito) está clasificado para 15 amperios.
- Es importante que la máquina de hacer hielo esté nivelada para que funcione bien. De otro modo el agua no fluirá bien a través del evaporador (molde de hielo). La producción de hielo será menor de lo normal. Pudieras necesitar hacer varios ajustes para nivelarla.
- Todas las instalaciones deben hacerse de acuerdo a las exigencias de los códigos locales de plomería.
- Asegúrate de que estas mangueras no sean perforadas, torcidas ni dañadas durante la instalación.
- Revisa si hay filtraciones luego de conectar la línea de agua.
- El primer lote de cubos de hielo debe desecharse aunque la unidad venga probada y limpia de fábrica debido al tiempo prolongado de traslado y almacenaje.
- Quita los materiales de empaque y limpia la máquina de hacer hielo antes de usarla.
- Abre el grifo para suministro del agua antes de encender la máquina para hacer hielo. Nunca cierres el grifo de suministro de agua cuando la máquina de hacer hielo esté funcionando.
- Excepto para sacar hielo de la unidad, mantén la puerta cerrada para reducir la cantidad de hielo que se derrite y fomentar la mejor generación del hielo.
- Si la máquina de hacer hielo no se usa por largo tiempo, debe limpiarse a fondo antes de volverse a usar. Sigue cuidadosamente todas las instrucciones dadas para limpiar. Después de limpiar, no dejes ninguna solución dentro de la máquina para hacer hielo. NO uses en el interior agentes limpiadores a base de solvente ni abrasivos. Estos limpiadores pueden dar mal sabor a los cubos de hielo o dañar o decolorar el interior. El limpiador de máquinas de hacer hielo contiene ácidos. NO uses ni mezclas con cualquier otro producto limpiador a base de solvente. Usa guantes de hule para proteger las manos. Lee cuidadosamente las instrucciones de seguridad en el envase del limpiador para la máquina de hacer hielo.
- No uses este aparato con propósitos distintos a los previstos.
- No toques las aletas del condensador, que son cortantes y pueden dañarse fácilmente.

Conexión eléctrica

Bajo ninguna circunstancia cortes ni retires la tercera clavija (a tierra) del cable de energía. Para seguridad personal, este electrodoméstico debe conectarse bien a tierra. El cable eléctrico de este electrodoméstico está equipado con un enchufe de 3 clavijas y conexión a tierra que conecta con el tomacorriente de pared estándar correspondiente para minimizar la posibilidad de peligro de descarga eléctrica en el electrodoméstico.

Garantiza que el tomacorriente de pared y el circuito sean verificados por un electricista cualificado y que la conexión a tierra resulte apropiada. Si se encuentra un tomacorriente de pared estándar para 2 clavijas, es tu responsabilidad y obligación reemplazarlo con uno para 3 clavijas con la conexión a tierra apropiada. La máquina de hacer hielo debe conectarse siempre a al tomacorriente destinado para su uso que tenga un índice de voltaje coincidente con el indicado en la etiqueta del electrodoméstico. Así se provee el mejor rendimiento y se previene contra sobrecargas en los circuitos del cableado del hogar, que pueden causar peligro de incendio por cables sobrecalentados. Jamás desconectes la máquina de hacer hielo halando el cable de suministro de electricidad. Siempre toma el enchufe firmemente y hala directamente desde el tomacorriente. Repara o reemplaza de inmediato todos los cables eléctricos que estén raídos o dañados de alguna forma. No uses un cable que muestra daños por agrietamiento o abrasión en su longitud o en algún extremo. Al mover la máquina de hacer hielo, ten cuidado de no dañar el cable de alimentación.

Cable de extensión

Debido a peligros de seguridad potenciales bajo determinadas condiciones, se recomienda enfáticamente no usar un cable de extensión con esta máquina de hacer hielo.

INFORMACIÓN TÉCNICA

Modelo:	MIM50 / MIM50V	MIM50-O	MIM50P	MIM50P-O
Descripción	Máquina de hacer hielo, en interiores, 50 lb (22.3 kg)	Máquina de hacer hielo, en exteriores, 50 lb (22.3 kg)	Máquina de hacer hielo, en interiores, 50 lb (22.3 kg)	Máquina de hacer hielo, en exteriores, 50 lb (22.3 kg)
Voltaje:	120V/60Hz/1Ph, 220V/50Hz/1Ph	120V/60Hz/1Ph, 220V/50Hz/1Ph	120V/60Hz/1Ph, 220V/50Hz/1Ph	120V/60Hz/1Ph, 220V/50Hz/1Ph
Amperes (hacer hielo/recolectarlo):	3.0 / 4.0	3.0 / 4.0	3.0 / 4.0	3.0 / 4.0
Tipo de hielo:	Cubo	Cubo	Cubo	Cubo
Tamaño del cubo de hielo:	7/8" x 7/8" x 7/8"	7/8" x 7/8" x 7/8"	7/8" x 7/8" x 7/8"	7/8" x 7/8" x 7/8"
Consumo de energía:	12.2 kWh / 100 lb (44.6 kg) de hielo	12.2 kWh / 100 lb (44.6 kg) de hielo	12.2 kWh / 100 lb (44.6 kg) de hielo	12.2 kWh / 100 lb (44.6 kg) de hielo
Peso de la unidad:	84 LB / 38 KG	83 LB / 38 KG	86 LB / 39 KG	86 LB / 39 KG
Máximo de hielo almacenado:	25 lb (11.2 kg)	25 lb (11.2 kg)	25 lb (11.2 kg)	25 lb (11.2 kg)
Capacidad de hacer hielo:	50 lb (22.3 kg) al día*	50 lb (22.3 kg) al día*	50 lb (22.3 kg) al día*	50 lb (22.3 kg) al día*
Dimensiones de la unidad:	145/8" x 235/8" x 33"	145/8" x 235/8" x 33"	145/8" x 235/8" x 33"	145/8" x 235/8" x 33"
Luz LED interna azul cuando la puerta está abierta	No	No	Sí	Sí
Bomba de desagüe	No	No	Sí	Sí

*La cantidad real de hielo producido al día puede variar con las condiciones ambientales y del agua.

El índice de rendimiento y datos técnicos listados más arriba están sujetos a cambio y deben usarse sólo como referencia.

INTRODUCCIÓN

La máquina de hacer hielo Maxx Ice de la serie MIM50 produce cubos sólidos de calidad gourmet que son convenientes para propietarios de viviendas, comensales de restaurantes y huéspedes de hoteles. Tiene integrado un recipiente con aislante para guardar hielo.

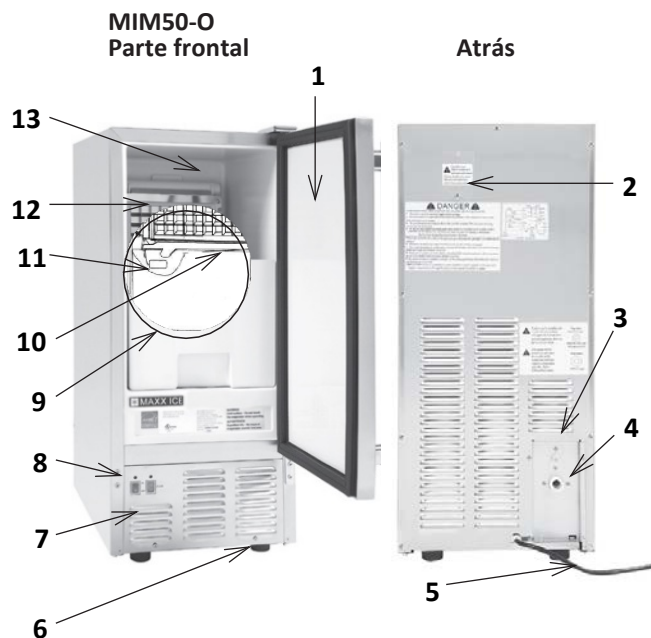
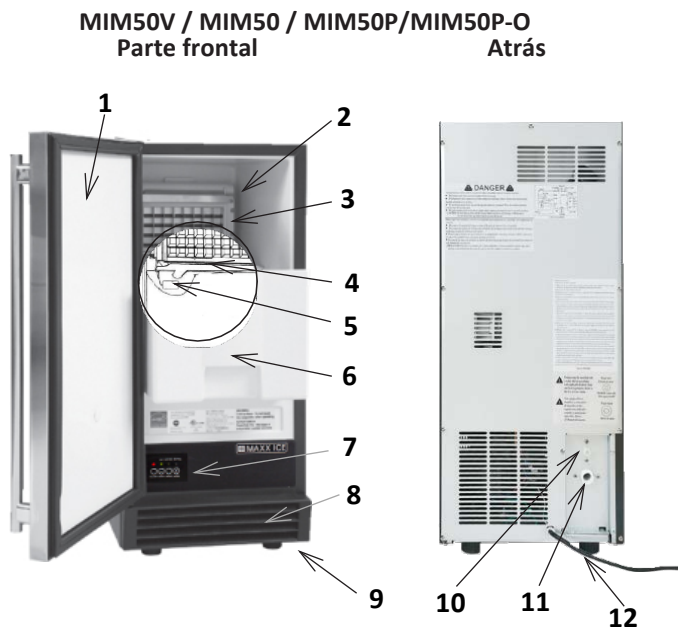
- Es necesario suministrar agua fría.
- Es necesario un desagüe por gravedad.

Este manual del usuario se concibió como recurso para las personas que instalan, usan y dan mantenimiento a la serie MIM50. Contiene información valiosa sobre seguridad y mantenimiento. Maxx Ice recomienda enfáticamente conservar este manual en un lugar al cual se pueda tener acceso siempre que sea necesario.

La serie MIM50 está diseñada y manufacturada de acuerdo con los más altos estándares de seguridad y rendimiento. Cumple o supera las normas de seguridad UL563 y de higiene NSF12.

Maxx Ice no asume responsabilidad ni obligación alguna por productos manufacturados por Maxx Ice que hayan sido alterados de algún modo, incluyendo el uso de cualquier pieza y/u otros componentes que no estén aprobados específicamente por Maxx Ice Warranty & Parts. Maxx Ice se reserva el derecho de hacer mejoras y/o cambios de diseño en cualquier momento. Las especificaciones y diseños están sujetos a cambio sin previo aviso.

UBICACIONES DE COMPONENTES



MIM50V / MIM50 / MIM50P/MIM50P-O				MIM50-O			
ARTÍCULO #	INGLÉS	FRANCÉS	ESPAÑOL	ARTÍCULO #	INGLÉS	FRANCÉS	ESPAÑOL
1	Door	Porte	Puerta	1	Door	Porte	Puerta
2	Water Distribution Tube	Tube de distribution d'eau	Tubo de distribución de agua	2	Control Panel (Behind access panel)	Panneau de configuration (derrière le panneau d'accès)	Panel de control (detrás del panel de acceso)
3	Evaporator (ice mold)	Évaporateur (moule à glace)	Evaporador (molde de hielo)	3	Water Inlet	Arrivée d'eau	Entrada de agua
4	Water Trough	Auge d'eau	Canaleta de agua	4	Drain Outlet	Drain Outlet	Salida del desagüe
5	Float	Flotte	Flotador	5	Power Cord	Cordon d'alimentation	Cable de alimentación
6	Ice Storage Bin	Bac à glaçons	Recipiente para almacenar hielo	6	Caster	Roulette	Ruedita
7	Control Panel	Panneau de contrôle	Panel de control	7	Front Louver Panel	Panneau de louveres avant	Panel frontal de la persiana
8	Front Louver Panel	Panneau de louveres avant	Panel frontal de la persiana	8	On/Off/Clean Buttons	Boutons On / Off / Clean	Botones de encendido / apagado / limpieza
9	Caster	Roulette	Ruedita	9	Recipiente para almacenar hielo	Bac à glaçons	Recipiente para almacenar hielo
10	Water Inlet	Arrivée d'eau	Entrada de agua	10	Tanque	Auge d'eau	Canaleta de agua
11	Drain Outlet	Drain Outlet	Salida del desagüe	11	Float	Flotte	Flotador
12	Power Cord	Cordon d'alimentation	Cable de alimentación	12	Evaporator (ice mold)	Évaporateur (moule à glace)	Evaporador (molde de hielo)
				13	Water Distribution Tube	Tube de distribution d'eau	Tubo de distribución de agua

INSTALACIÓN DE LA MÁQUINA DE HACER HIELO

ADVERTENCIA

Peligro de peso excesivo

Emplea dos personas o más para trasladar e instalar la máquina de hacer hielo.
No hacerlo puede resultar en lesiones de la espalda y otras.

Quitar los materiales de empaque

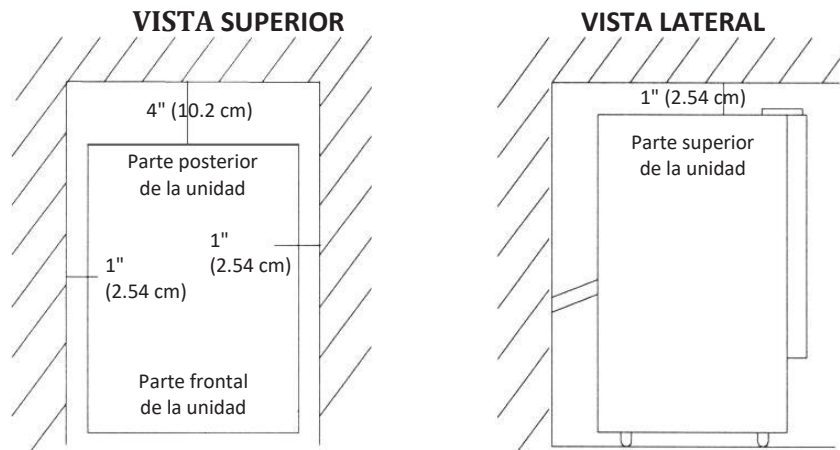
IMPORTANTE: No quitar ninguna etiqueta permanente con instrucciones, ni la etiqueta de datos que aparece en la máquina de hacer hielo. Elimina la cinta adhesiva y el pegamento de la máquina de hacer hielo antes de usarla.

- Para eliminar cualquier cinta adhesiva o pegamento residual, frota vigorosamente el área con tu pulgar. La cinta adhesiva o pegamento residual pueden eliminarse también restregando con los dedos un poco de jabón lavaplatos líquido sobre el adhesivo. Limpia con agua tibia, y seca.
- No uses instrumentos cortantes, ni restriegues con alcohol, fluidos inflamables ni limpiadores abrasivos para eliminar cinta adhesiva o pegamento. Estos productos pueden dañar la superficie de tu máquina de hacer hielo.

Limpieza antes de usar

Limpia el interior de tu máquina de hacer hielo tras quitar todos los materiales de empaque, antes de usarla. Consulta "Limpieza del interior" en la sección de Limpieza y mantenimiento.

Espacio de separación para la instalación



- Esta máquina de hacer hielo debe ser instalada apropiadamente por personal calificado.
- Para garantizar la ventilación adecuada de tu máquina de hacer hielo, la parte frontal de la unidad debe estar completamente despejada.
- Al instalar la máquina de hacer hielo bajo un mostrador, sigue las dimensiones de espaciado recomendadas que se muestran. Deja al menos 4" (102 mm) de espacio de separación al fondo, y 1" (25 mm) en la parte superior y los lados para adecuada circulación del aire. La instalación debe permitir que la máquina de hacer hielo se mueva hacia adelante para darle mantenimiento cuando sea necesario.
- Selecciona un área bien ventilada con temperatura ambiente de entre 50°F (10°C) y 99°F (37°C). Esta unidad DEBE instalarse en un área protegida de los elementos tales como viento, lluvia, rocío o gotas de agua.
- Esta unidad no debe ubicarse cerca de hornos, parrillas ni otras fuentes de mucho calor.
- La instalación de la máquina de hacer hielo requiere suministrar agua fría con tubería de cobre blando de ¼ plg (6.35 mm) de entrada y una válvula de cierre.
- La máquina de hacer hielo requiere un suministro continuo de agua con presión mínima de 15 psi (1 bar o 103 kPa) sin que la presión estática sobrepase 75 psi (5.2 bar o 517 kPa). La temperatura de alimentación de agua a la máquina de hacer hielo debe estar entre 40°F (4°C) y 90°F (32°C) para funcionamiento adecuado.

ADVERTENCIA

La temperatura ambiente normal para la operación debe estar entre 50°F (10°C) y 99°F (37°C).

La temperatura normal del agua durante el funcionamiento debe estar entre 40°F (4°C) y 90°F (32°C).

La operación de la máquina de hacer hielo durante períodos prolongados fuera de estos rangos normales de temperatura pueden afectar su capacidad de producción.

- **Se recomienda enfáticamente usar un filtro de agua.** Si el filtro es del tipo adecuado puede eliminar olores y sabores, así como partículas. Algunas aguas son muy duras y el agua suavizada o ablandada puede generar cubos blancos y blandos que se pegan entre sí. No se recomienda agua desionizada.
- La máquina de hacer hielo debe instalarse con todas las conexiones eléctricas y de agua conforme a los códigos estatales y locales.
- La unidad debe ubicarse sobre una superficie firme y nivelada. Es importante que la máquina de hacer hielo esté nivelada para que funcione bien. Si es necesario, puedes ajustar la altura de la máquina de hacer hielo girando la rueda. Consulta la sección "Nivelar la máquina de hacer hielo".
- Se requiere un suministro de electricidad estándar (sólo CA: 115 V, 60 Hz, 15 A) bien conectado a tierra conforme al Código Nacional de Electricidad y los códigos y ordenanzas locales.

IMPORTANTE: No tuerzas ni pises el cable de suministro de electricidad entre la máquina de hacer hielo y una pared o el gabinete.

Requisitos eléctricos

¡PELIGRO!



Peligro de descarga eléctrica

Conéctala en tomacorriente para enchufe de 3 clavijas con conexión a tierra. Nunca quites del enchufe la clavija de conexión a tierra. Nunca uses adaptadores. Nunca uses cables de extensión.

Incumplir estas instrucciones puede resultar en incendios, descarga eléctrica o muerte.

Es importante asegurar que tengas la conexión eléctrica apropiada:

Se requiere un suministro de electricidad estándar, bien conectado a tierra, conforme al Código Nacional de Electricidad y los códigos y ordenanzas locales. La máquina de hacer hielo debe conectarse siempre a su propio tomacorriente exclusivo. Se recomienda disponer de un circuito separado dedicado solo a la máquina de hacer hielo. Usa receptáculos que no puedan apagarse por interruptor de botón ni de cadena. El tamaño del fusible (o disyuntor de circuito) está clasificado para 15 amperios.

Método recomendado de conexión a tierra

Para tu seguridad personal, este electrodoméstico debe estar conectado a tierra. Este electrodoméstico tiene un cable de suministro con enchufe de 3 clavijas y conexión a tierra. Para minimizar el peligro de posible descarga eléctrica, el cable debe estar enchufado a un receptáculo de pared para 3 clavijas con capacidad de conexión a tierra, y estar bien conectado a tierra, conforme al Código Nacional de Electricidad y los códigos y ordenanzas locales. Si el receptáculo de pared correspondiente no está disponible, es responsabilidad personal del cliente pedir a un electricista calificado que instale uno adecuado de 3 clavijas.

Nivelar la máquina de hacer hielo

Es importante que la máquina de hacer hielo esté nivelada para que funcione bien. De otro modo el agua no fluirá bien a través del evaporador (molde de hielo). La producción de hielo será menor de lo normal, y pudiera causar ruido. Si encuentras que la superficie no es uniforme, gira las rueditas hasta que la máquina de hacer hielo quede nivelada. Pudieras necesitar hacer varios ajustes para nivelarla. Recomendamos usar un nivel de carpintero para comprobar si la máquina quedó nivelada.

1. Coloca un nivel de carpintero sobre la parte superior de la unidad para ver si la máquina de hacer hielo está nivelada desde el frente hasta el fondo y de lado a lado.
2. Ajusta la altura de las rueditas como sigue:
Gira las ruedas niveladoras hacia la derecha para bajar el lado de la máquina de hacer hielo. Gira las ruedas niveladoras hacia la izquierda para subir el lado de la máquina de hacer hielo.

Encontrarás que las rueditas facilitan que una sola persona mueva la máquina de hacer hielo. Esto resulta útil para limpiar y desinfectar la superficie sobre la cual se instala la máquina de hacer hielo, ya que permite mover la unidad y tener fácil acceso a la superficie que se ha de limpiar.



Cómo cambiar el sentido en que abren las puertas de MIM50-O y MIM50V

Herramientas necesarias: Desarmadores de cabeza plana y Phillips

NOTA: Antes de comenzar, desconecta la máquina de hacer hielo o la fuente de corriente eléctrica.

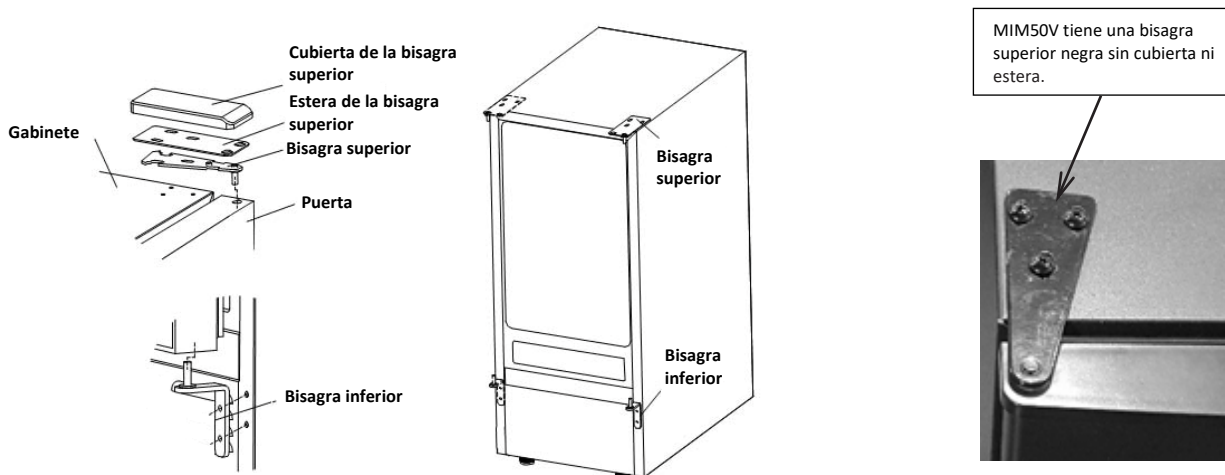
Para desmontar la puerta de las bisagras

1. Quita la cubierta de la bisagra superior.
2. Quita los tornillos, la estera de la bisagra superior y la bisagra, usando el desarmador Phillips. Mantén las piezas juntas y apártalas. *(La máquina MIM50V tiene una bisagra negra sin cubierta ni estera, pero se quita de la misma forma que la bisagra superior de MIM50-O)*
3. Levanta la puerta de la bisagra inferior y apártala.

Para volver a colocar la puerta sobre bisagras

1. Con un desarmador de cabeza plana, quita los tapones de los orificios para tornillos opuestos a las bisagras superior e inferior de la puerta. Apartar.
2. Quita la rejilla frontal. Apartar.
3. Quita la bisagra inferior para colocarla en el lado opuesto, en la parte inferior de la puerta. *(La máquina MIM50V tiene una bisagra inferior que se quita e instala de la misma forma que la bisagra inferior de MIM50-O)*
4. Coloca la puerta sobre la bisagra de la parte inferior.
5. Alinea la puerta sobre la bisagra inferior y vuelve a colocar la bisagra superior y su estera.
6. Vuelve a colocar la cubierta de la bisagra superior.
7. Presiona los tapones en los orificios originales para tornillos.

Ver la Figura más abajo:



Cómo cambiar el sentido en que abren las puertas de MIM50, MIM50P y MIM50P-O

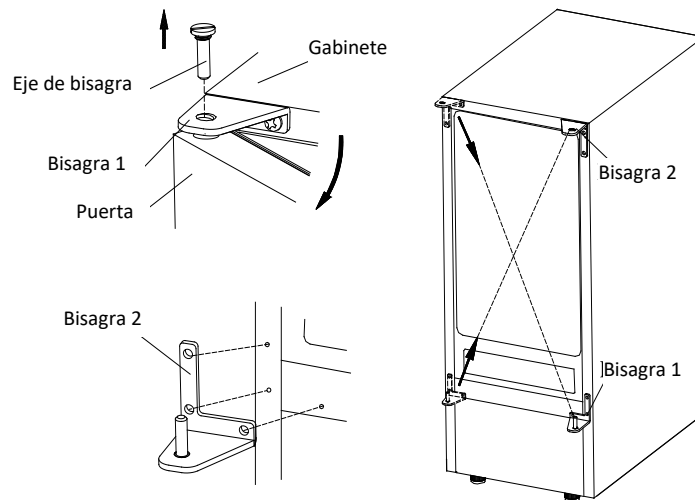
Para desmontar la puerta de las bisagras:

1. Con un desarmador de cabeza plana, separar el eje de la bisagra 1. Apartar.
2. Abrir la puerta unos 20° alrededor del eje de la bisagra inferior 2 y seguidamente levantar la puerta de la bisagra inferior 2 y apartarla.

Para volver a colocar la puerta sobre bisagras:

1. Con un desarmador de cabeza plana, quita los tapones de los orificios para tornillos opuestos a las bisagras superior e inferior de la puerta. Apartar.
2. Volver a poner el eje sobre la bisagra 1 y apretarlo con firmeza. Quitar la bisagra 1 y colocar en el lado inferior opuesto.
3. Quitar la bisagra 2 y colocar en el lado superior opuesto. Separar el eje de la bisagra 2 y apartarlo.
4. Alinear la puerta sobre la bisagra inferior 1 y volver a colocar el eje sobre la bisagra 2. Apretar firmemente. Colocar el mango sobre el lado de la puerta alejado del lado de la bisagra.
5. Presiona los tapones en los orificios originales para tornillos.

Ver la Figura más abajo:



Suministro de agua

El suministro de agua debe estar listo en el punto de instalación. El suministro de agua debe tener presión mínima de 15 psi (1 bar o 103 kPa) sin que la presión estática sobrepase 75 psi (5.2 bar o 517 kPa). (Un tomacorriente de pared directamente detrás de la máquina de hacer hielo facilitará la instalación).

NOTA:

Todas las instalaciones deben hacerse de acuerdo a las exigencias de los códigos locales de plomería. Se recomienda instalación profesional. Asegura que las mangueras no sean perforadas, torcidas ni dañadas durante la instalación. Comprueba si hay filtraciones luego de conectar.

Herramientas necesarias

Llave de boca de ½ plg, desarmador Phillips

Conectar la línea de agua

1. Cierra el suministro de agua principal. Abre el grifo más cercano el tiempo suficiente como para limpiar la línea de agua.
2. Buscar una tubería vertical de agua fría de ½ plg hasta ¾ plg cerca del lugar de instalación. La distancia debe ser menos de 6 pies (1.83 m). La manguera de suministro de agua que viene con la máquina de hacer hielo tiene unos 6 pies (1.83 m) de largo.
3. Debe instalarse una válvula de cierre en la línea principal de suministro de agua. Si la tubería de agua tiene una pieza lisa de tubería de cobre, engancha una unión de comprensión de ¼" (0.64 cm) D. E. a la tubería y quita la tuerca.
4. Conecta la tuerca de la manguera de suministro de agua a la canilla y el otro extremo a la entrada de agua. Aprieta firme con la mano y luego da media vuelta con una llave.

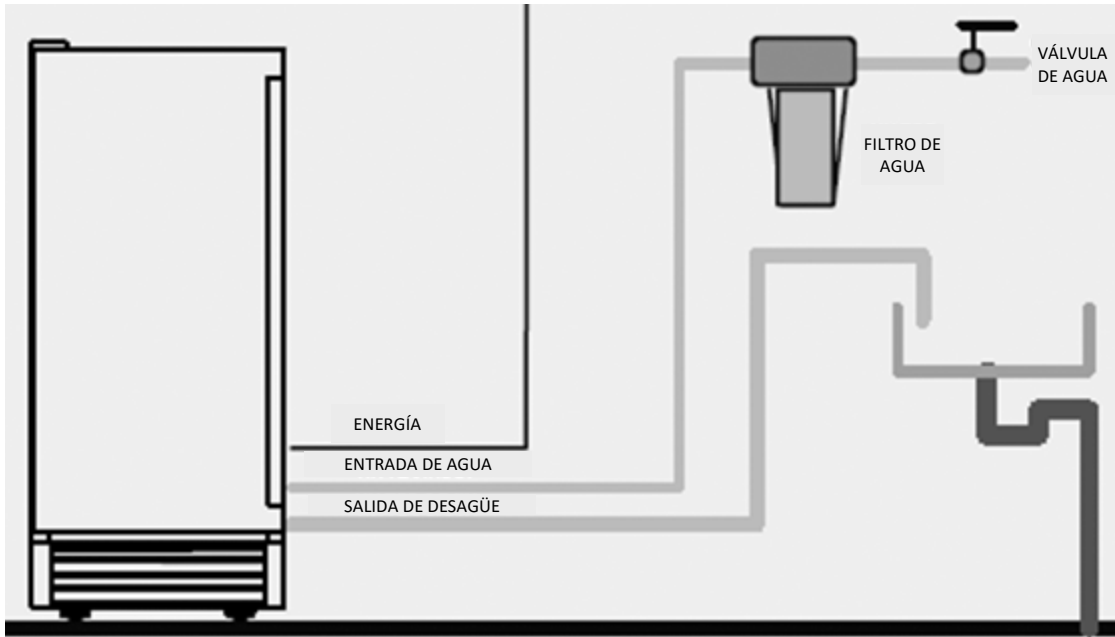
- Abre el suministro principal de agua y el grifo. Comprueba si hay filtraciones en la conexión de suministro de agua. Aprieta todas las conexiones (incluso la de entrada de agua).

NOTA: Al conectar las mangueras de suministro de agua y desagüe, presta atención a las indicaciones de "Entrada de agua" y "Salida de desagüe" en la máquina de hacer hielo.

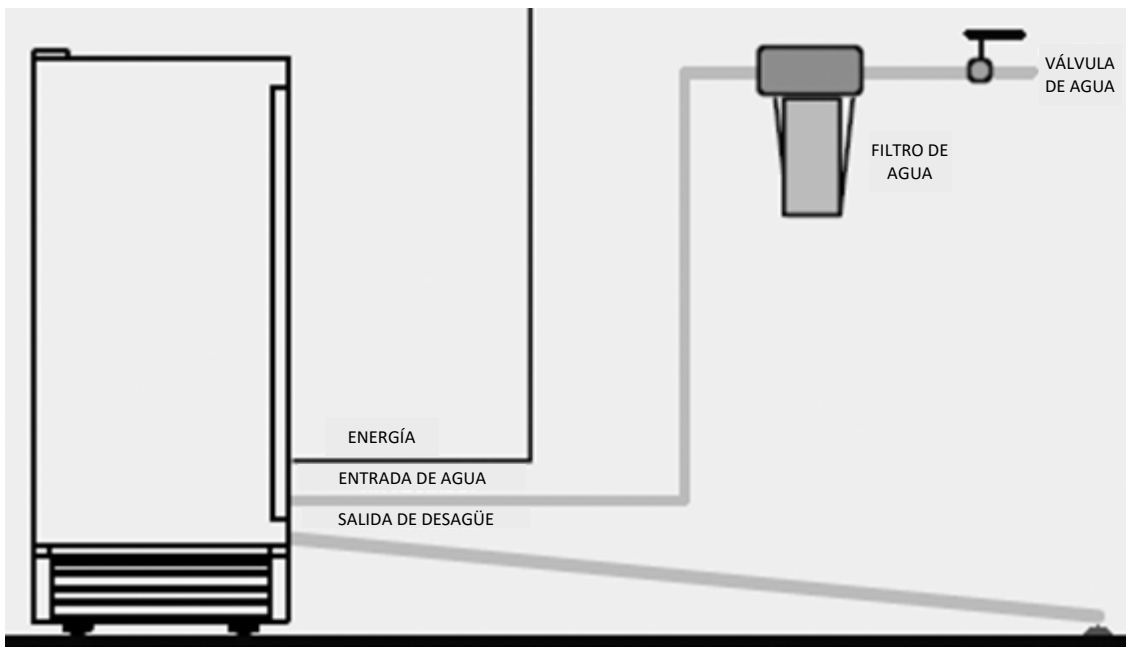
Desagüe

Debes conectar la línea de desagüe antes de usar la máquina de hacer hielo. Sigue los pasos descritos más abajo.

Hay dos modalidades de máquinas de hacer hielo: una que desagua por gravedad y otra que tiene una bomba de desagüe interna. Los modelos *MIM50P* y *MIM50P-O* vienen con una bomba interna de desagüe que pueden bombear agua hasta una altura de 1.5 m (59") (59")



o hasta una distancia horizontal de 1.5 m (59").



Conectar la línea de desagüe

NOTA: Si hay una línea de desagüe cerca de la máquina de hacer hielo, la mejor opción para llevar el agua hacia ella es a través de la manguera de desagüe suministrada con la propia máquina.

1. Localiza en el piso un desagüe cerca de la máquina de hacer hielo. Debe estar a menos de 5 pies (1.52 m), ya que la manguera de desagüe suministrada con la máquina tiene unos 5 pies (1.52 m) de largo.
2. Busca la salida de desagüe en la parte posterior de la máquina de hacer hielo y saca el tapón de desagüe trasero. Conecta la tuerca de la salida de desagüe a la manguera correspondiente e inserta el otro extremo de la manguera en la línea de desagüe.

NOTA: Nunca permitas que la manguera de desagüe cuelgue o haga un bucle sobre el fondo del recipiente para almacenar hielo.

3. Todo tramo horizontal de las líneas de desagüe tiene que tener una caída de $\frac{1}{4}$ " (0.64 cm) por pie lineal. Probablemente se requerirá un espacio de aire entre el tubo de desagüe de la máquina de hacer hielo y el recipiente para desechos y desagüe. Se puede usar una tubería vertical con un colector en la parte inferior para el recipiente de desechos y desagüe. También es aceptable un desagüe en el piso. Si no es posible, Maxx Ice recomienda usar una bomba condensadora. Disponible en las ferreterías locales. *(Una bomba interna viene por regla con los modelos MIM50P y MIM50P-O)*
4. Vierte 1 galón de agua en el recipiente para guardar hielo a fin de comprobar si hay filtraciones en las conexiones de desagüe y en la tuerca del orificio de desagüe. Aprieta todas las conexiones o tuercas que presenten filtraciones.

NOTA: Esta máquina de hacer hielo no es un congelador. Las temperaturas elevadas pueden causar alto grado de derretimiento en el recipiente para guardar hielo. El hielo se escurrirá con el tiempo. Se requiere un desagüe.

TIPOS DE INSTALACIÓN

Esta máquina de hacer hielo ha sido diseñada para una instalación móvil (independiente). Sin embargo, puede instalarse empotrada (bajo un gabinete) o integrada (fijada al piso). En cada caso debe dejarse un espacio adecuado para la ventilación mediante circulación del aire.

Instalación móvil

Una instalación móvil te permitirá instalar la máquina de hacer hielo independiente en el lugar que desees, siempre que tenga acceso a suministro de agua, esté nivelada y cuente con las conexiones eléctricas apropiadas.

Instalación empotrada

Una instalación empotrada te permitirá instalar la máquina de hacer hielo debajo de un gabinete, siempre que se respete el espacio libre requerido alrededor de la máquina, se tenga acceso a suministro de agua, la máquina esté nivelada y cuente con las conexiones eléctricas apropiadas.

Instalación integrada

Si se elige este método de instalación será necesario dejar un espacio adecuado alrededor de la unidad para su ventilación. Hay que cumplir con las siguientes reglas adicionales.

1. Coloca la máquina de hacer hielo frente al lugar en el que se instalará. Quita la pata y coloca la unidad horizontalmente sobre el piso o sobre una plataforma, dependiendo de los requisitos de instalación.
2. La línea de suministro de agua debe estar conectada antes de acoplarse a la máquina de hacer hielo.
3. La línea de desagüe debe estar conectada. Si hay un desagüe en el piso, se requerirá una bomba de condensación. Este desagüe no se requiere para los modelos *MIM50P* y *MIM50p-O*, que vienen con una bomba de desagüe interna.
4. Abre el suministro principal de agua y el grifo. Comprueba si hay filtraciones en la conexión de suministro de agua. Aprieta todas las conexiones (incluso la de entrada de agua).
5. Si el tomacorriente eléctrico para la máquina de hacer hielo está detrás del gabinete, enchúfala.
6. Empuja la máquina de hacer hielo hacia su posición.
7. Sella el piso alrededor de todo el gabinete con un compuesto de pasta selladora aprobado.

NOTA: Asegúrate de que la manguera de desagüe esté conectada y alimenta la línea de desagüe antes de mover la máquina de hacer hielo a su ubicación definitiva.

OPERACIÓN

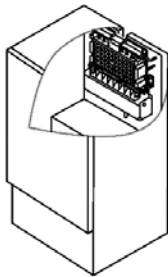
Lista de verificación final antes de hacerla funcionar

1. ¿Se han quitado todos los materiales de empaque y cintas adhesivas del interior y del exterior de la máquina de hacer hielo?
2. ¿Limpiaste el recipiente para guardar hielo?
3. ¿Se han seguido las instrucciones de instalación, incluso cómo conectar la máquina a las líneas de suministro de agua, electricidad y desagüe?
4. ¿Está nivelada la máquina de hacer hielo?
5. ¿Está la máquina de hacer hielo en un sitio donde la temperatura ambiente ronda entre 50 °F (10 °C) y 99 °F (37 °C) y la temperatura del agua, entre 40 °F (4 °C) y 90 °F (32 °C) durante todo el año?
6. ¿Has comprobado la presión del suministro de agua para garantizar que sea de 15 psi (1 bar o 103 kPa) como mínimo sin que la presión estática sobrepase 75 psi (5.2 bar o 517 kPa)?
7. ¿Hay al menos 4" (102 mm) de espacio de separación al fondo, y 1" (25 mm) en la parte superior y los lados para que circule bien el aire?
8. ¿Has cotejado el voltaje de la línea de suministro de electricidad con el voltaje que aparece en la placa indicadora?
¿Tiene buena conexión a tierra la máquina de hacer hielo?
9. ¿Está conectada la máquina de hacer hielo?
10. ¿Abriste el suministro principal de agua y el grifo?
11. ¿Has verificado todas las conexiones de suministro de agua para ver si hay filtraciones?

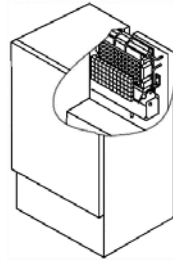
Método de operación

1. Abre el grifo, deja que el agua fluya hasta llenar el tanque y enseguida presiona el botón ON/OFF en el panel frontal. La máquina de hacer hielo arrancará automáticamente a funcionar.

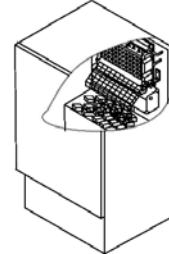
Fase de hacer hielo



Fase de recolectar hielo



Fase de recipiente lleno



2. A los 3 minutos, la máquina pasará automáticamente a la fase de hacer hielo y se oirá el sonido del agua que fluye.
3. Al formarse por completo el lote de hielo, este será recolectado automáticamente en el recipiente para guardarlo.
4. Cuando el recipiente para guardar hielo esté lleno, la capa de cubos de hielos no caerá completamente y mantendrá abierta la sonda del recipiente lleno. La máquina deja automáticamente de hacer hielo.
5. La unidad arrancará de nuevo a hacer hielo después que se retiren los cubos de hielo. Luego retornará la sonda del recipiente lleno a su posición inicial de operación.
6. La luz del recipiente (en su caso) (*presente en MIM50P y MIM50P-O*): La luz del recipiente está controlada por un interruptor magnético tipo Reed instalado en la superficie interna de la puerta. Se enciende (ON) o apaga (OFF) automáticamente abriendo o cerrado la puerta.
7. Sistema de desagüe con bomba (en su caso) (*presente en MIM50P y MIM50P-O*): Al derretirse el hielo o fluir agua en exceso hacia el depósito para llevar el agua al máximo nivel, el interruptor correspondiente se cierra y transmite una corriente de bajo voltaje al tablero PC. El tablero PC energiza la bomba de desagüe por 20 segundos y así se bombea casi todo el exceso de agua en el depósito.

NOTA:

- El primer lote de cubos de hielo debe desecharse aunque la unidad venga probada y limpia de fábrica debido al tiempo prolongado de traslado y almacenaje.
- Nunca cierres el grifo de suministro de agua cuando la máquina de hacer hielo esté funcionando.
- ¡Nunca toques el evaporador cuando la máquina esté funcionando!
- Excepto para sacar hielo de la unidad, mantén la puerta cerrada para reducir la cantidad de hielo que se derrite y asegurar la adecuada generación del hielo.

Cómo hace hielo la máquina

Pon el botón ON/OFF en la posición ON. La máquina irá automáticamente a la fase de hacer hielo. Hay dos ciclos distintos: congelación y recolección de hielo.

1. El ciclo de congelación se inicia cuando el agua fluye hacia la superficie del evaporador.
2. El ciclo de recolección sobreviene cuando el hielo se libera y el agua entra en la máquina.

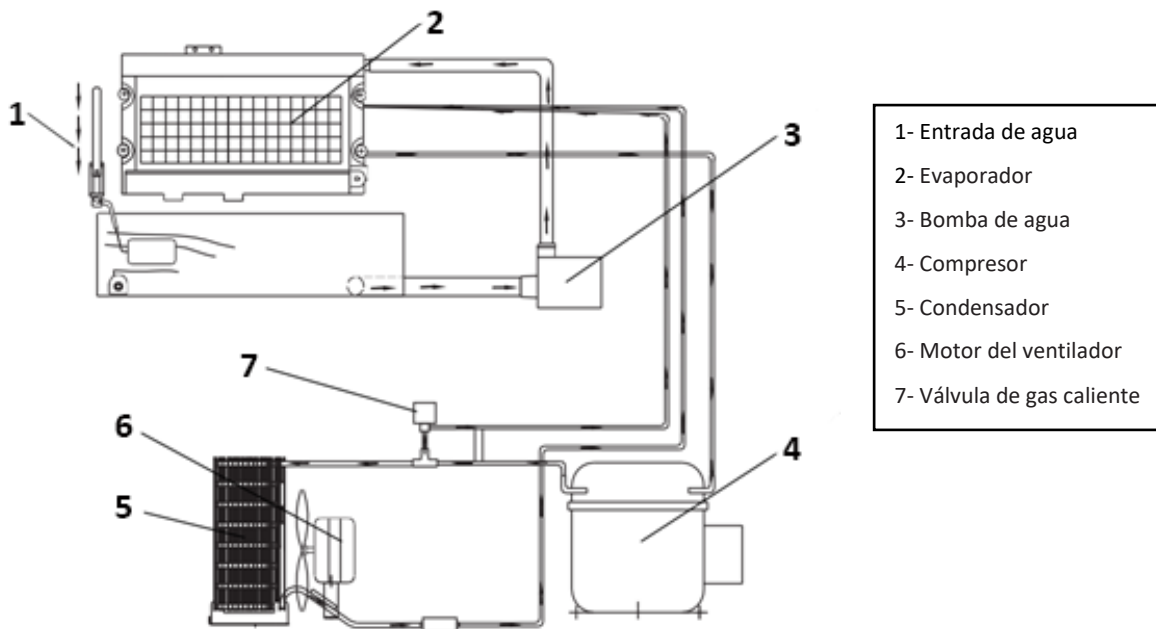
20 minutos: Un ciclo completo dura unos 20 minutos, pero esto depende de la temperatura y de las condiciones de funcionamiento.

Congelación: Durante el ciclo de congelación, el compresor bombea refrigerante, el motor del ventilador sopla aire y la bomba hace circular el agua. Luego de haberse generado por completo el lote de hielo, la máquina detiene el ciclo de congelación y comienza el ciclo de recolección.

Recolección: Durante el ciclo de recolección, el compresor sigue funcionando, pero la bomba de agua se ha detenido. La válvula de gas caliente se abre y desvía el gas refrigerante caliente hacia el evaporador. El gas refrigerante a alta temperatura calienta el evaporador y hace que los cubos de hielo se deslicen uno por uno fuera del evaporador hacia el recipiente de almacenaje. El ciclo de congelación arranca de nuevo cuando todos los cubos de hielo han sido recolectados.

Cómo consume el agua la máquina hace hielo

La máquina de hacer hielo comienza a funcionar con una carga fija de agua que está contenida en el tanque. Al fluir el agua hacia la superficie congelante del evaporador, la porción de agua que no contiene impurezas minerales se congela y se adhiere a los moldes de cubos de hielo. El agua con impurezas retorna al tanque. Durante el proceso de hacer hielo, el agua fresca entra continuamente al tanque a medida que el agua contenida en él se congela en el evaporador.



OPERACIÓN DEL SISTEMA DE DESAGÜE DE MIM50P Y MIM50P-O

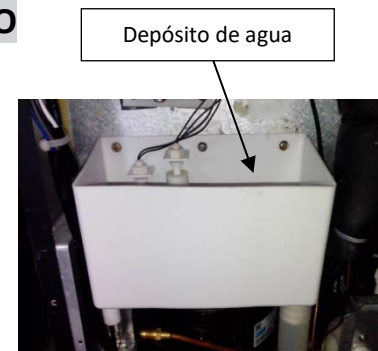
Cómo opera el sistema de desagüe cuando el agua se bombea hacia afuera

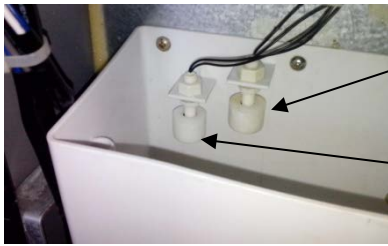
Los componentes del sistema de desagüe por bomba del agua hacia afuera son:

- Depósito de agua
- Tablero PC e interruptor del nivel de agua 1, 2
- Bomba de desagüe

Operación de la bomba de desagüe

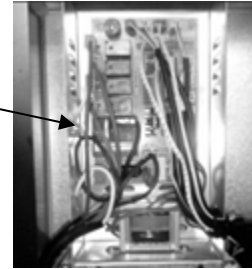
- Toda el agua que viene del flujo en exceso y del hielo derretido se recolecta en el depósito correspondiente.
- Tan pronto como el agua en el depósito alcanza el nivel máximo, el interruptor 1 se cierra y transmite una corriente de bajo voltaje al tablero PC.





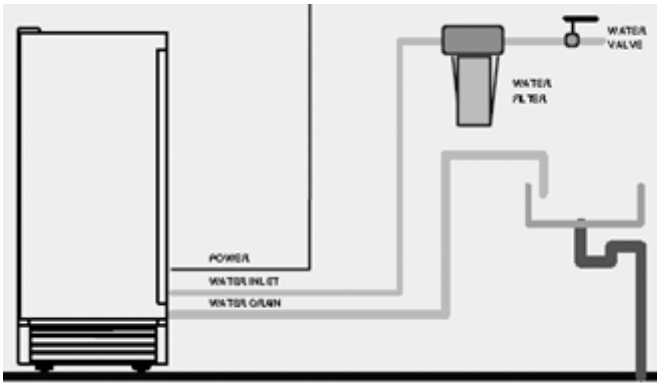
Interruptor del nivel de agua 2

Interruptor del nivel de agua 1



Tablero PC

- El tablero PC energiza la bomba de desagüe por 20 segundos y así se bombea casi todo el exceso de agua en el depósito.
- El agua puede bombearse hasta una altura de 1.5 m (59")



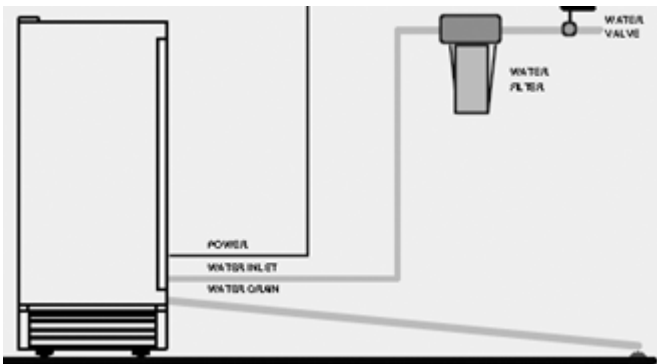
NOTA:

La salida de la manguera de desagüe tiene que elevarse por encima de la superficie del agua para evitar el refluo del desagüe hacia el depósito de agua.

¡CUIDADO!

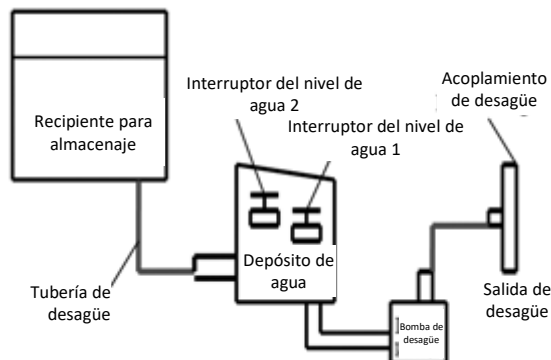
Si suena la alarma, apaga la máquina de hacer hielo, cierra el suministro de agua, retira todo el hielo del recipiente de almacenaje y seca con paño toda el agua que pudiera haber fluido en exceso. Comprueba si queda agua en la canaleta de la parte posterior de la unidad; si no hay, la bomba de desagüe pudiera no estar recibiendo la cantidad apropiada de energía. Revisa la fuente de energía. Si se resuelve el problema, enciende de nuevo la unidad. Revisa también las líneas de suministro de agua para ver si están torcidas. Si persiste el problema, comunícale con el Servicio al Cliente.

o hasta una distancia horizontal de 1.5 m (59").



- Si el interruptor de nivel de agua 2 se cierra, una corriente de bajo voltaje se transmite al tablero PC, que activa la alarma para avisarte de que la bomba de desagüe, el interruptor del nivel de agua o la tubería de desagüe están funcionando mal.

Diagrama esquemático del sistema de desagüe



Sonidos normales

Tu nueva máquina de hacer hielo puede emitir sonidos que no te sean familiares. Casi todos los nuevos sonidos son normales. Las superficies duras como el piso y las paredes pueden amplificar los sonidos. La siguiente lista describe los sonidos que pudieran no resultar familiares y explican cuáles serían sus causas posibles.

- Los traqueteos pueden provenir del flujo del refrigerante o el agua a través de la línea. Un artículo colocado sobre la máquina de hacer hielo también puede provocar ruidos.
- El compresor de alta eficiencia puede emitir un sonido agudo o pulsante.
- El agua corriente puede emitir un sonido como de chapoteo.
- Pudieras oír cómo el ventilador del condensador fuerza el paso del aire por el condensador.
- Durante el ciclo de recolección, pudieras oír el sonido de cubos de hielo cayendo en el recipiente para guardarlos.

Preparar la máquina de hacer hielo para su almacenaje prolongado

Si la máquina de hacer hielo no va a usarse por largo tiempo o se trasladará a otro lugar, será necesario drenar el sistema.

1. Cierra el suministro de agua en la fuente principal.
2. Desconecta de la entrada de agua su línea de suministro.
3. Apaga el suministro de electricidad en la fuente principal.
4. Saca el recipiente para guardar hielo a fin de eliminar todo el hielo o agua residuales. Seca el recipiente.
5. Hala hacia afuera el tubo de desagüe del tanque para drenar todo el agua.
6. Deja la puerta abierta para permitir la circulación de aire y evitar el moho y los hongos.
7. Deja desconectadas la línea de suministro de agua y el cable eléctrico hasta que deban estar listos para volver a usar.

NOTA: No conectes ni desconectes el enchufe eléctrico con las manos húmedas. Jamás desconectes la unidad halando el cable. Agarra el enchufe y hala con fuerza hacia afuera.

LIMPIEZA Y MANTENIMIENTO

PRECAUCIÓN

Si la máquina de hacer hielo se deja sin usar por largo tiempo, debe limpiarse a fondo antes de volverse a usar. Sigue cuidadosamente todas las instrucciones dadas para limpiar o usar soluciones desinfectantes. Después de limpiar, no dejes ninguna solución dentro de la máquina para hacer hielo.

La limpieza periódica y el mantenimiento adecuado garantizarán la eficiencia, el mejor rendimiento y una larga vida útil. Los intervalos de mantenimiento listados se basan en condiciones normales. Pudieras querer intervalos más cortos si tienes mascotas o por otras consideraciones especiales.

¿Qué no se debe hacer?

Nunca mantengas nada que no sea hielo en el recipiente correspondiente: objetos como botellas de vino y cerveza no son solo antihigiénicos, sino que además, las etiquetas pueden desprenderse y obstruir el desagüe.

¿Qué partes deben mantenerse limpias?

1. El exterior
2. El interior
3. El condensador
4. Tubo de distribución de agua
5. El sistema de hacer hielo

ADVERTENCIA

Antes de proceder a operaciones de mantenimiento y limpieza, asegúrate de que la línea de suministro de electricidad a la unidad esté desconectada y cerrada la línea de agua.

Limpieza del exterior

La puerta y el gabinete pueden limpiarse con un detergente suave en solución acuosa tibia, por ejemplo: 1 oz (28.4 gr) de líquido lavaplatos en 2 galones (7.6 l) de agua tibia. No uses limpiadores a base de solvente ni abrasivos. Usa una esponja suave y enjuaga con agua limpia. Limpia con una toalla suave para evitar manchas de agua.

Si el panel de la puerta es de acero inoxidable, este puede decolorarse por exponerse al cloro y a la humedad. Limpia el acero inoxidable con un detergente suave en solución acuosa tibia y un paño húmedo. Nunca uses un agente limpiador abrasivo.

Limpieza del interior

El recipiente para guardar hielo debe desinfectarse de vez en cuando. Limpia el tanque antes de usar la máquina de hacer hielo por vez primera o al volver a usarla luego de haber pasado largo tiempo inactiva. Suele ser conveniente desinfectar el tanque tras limpiar el sistema de hacer hielo, cuando el recipiente para guardar hielo está vacío.

1. Desconecta de la unidad su fuente de electricidad.
2. Abre la puerta y saca el recipiente desmontable para guardar hielo. Con un paño seco, limpia el interior de la unidad y el recipiente de hielo usando una solución desinfectante de 1 onza (28.5 gr) de blanqueador doméstico o cloro y 2 galones (7.6 l) de agua caliente (95°F – 115°F = 35°C - 46°C).
3. Enjuaga bien con agua limpia.
4. Desenrosca la tuerca de desagüe para drenar completamente.
5. Coloca dentro de la unidad el recipiente para guardar hielo.
6. Vuelve a conectar la fuente de electricidad a la unidad.

La pala para recolectar hielo debe lavarse con regularidad. Lávalo tal y como cualquier otro recipiente de alimentos.

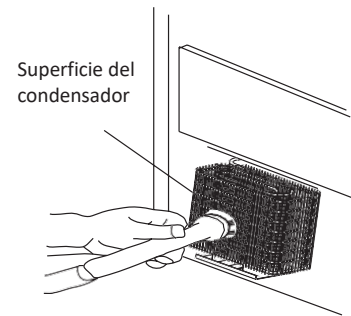
ADVERTENCIA

NO uses en el interior agentes limpiadores a base de solvente ni abrasivos. Estos limpiadores pueden dar mal sabor a los cubos de hielo y dañar o decolorar el interior.

Limpeza del condensador

Un condensador sucio u obstruido impide el flujo de aire adecuado, reduce la capacidad de hacer hielo y provoca temperaturas de funcionamiento tan altas que pudieran conducir a fallas componentes. Limpia el condensador al menos una vez cada seis meses.

1. Desconecta la máquina de hacer hielo o la fuente de corriente eléctrica.
2. Hala cuidadosamente la rejilla frontal inferior. *(En MIM50-O sólo se retiran dos tornillos que aseguran la rejilla frontal y enseguida la rejilla)*
3. Elimina la suciedad y las pelusas del condensador y del compartimiento de la unidad con el accesorio de cepillo de una aspiradora.
4. Vuelve a colocar la rejilla frontal superior.
5. Enchufa la máquina de hacer hielo o restablece la corriente eléctrica.



Limpeza del tubo de distribución de agua

Si encuentras que los cubos de hielo no se formaron bien o que tienen poca salida, el tubo de distribución de agua pudiera estar bloqueado. Apaga el botón de la electricidad, saca cuidadosamente el tubo de distribución de agua, ubica los orificios en él y usa un objeto puntiagudo, como un palillo de dientes, para dragar dichos orificios. Luego regresa el tubo de distribución de agua a su posición original. Si el tubo está muy obstruido, límpialo como sigue:

1. Cierra el suministro de agua.
2. Desconecta del tubo de distribución la manguera de agua.
3. Saca con cuidado el tubo de distribución.
4. Limpia el tubo con un cepillo y una solución poco concentrada en agua tibia de algún detergente suave, tal como jabón lavaplatos líquido. Enjuaga con agua limpia el tubo tras eliminar la suciedad y pelusa de la superficie.
5. Vuelve a colocar el tubo de distribución.
6. Vuelve a conectar el suministro de agua.

Limpeza y desinfección del sistema de hacer hielo

Los minerales que se eliminan del agua durante el ciclo de congelación formarán eventualmente capas de sedimento duro en el sistema de agua. Limpiar el sistema con regularidad ayuda a eliminar la acumulación de minerales. La frecuencia de limpieza del sistema depende de cuán dura es el agua o de cuán efectivo sea el filtro que uses. Con agua dura de 15 a 20 granos/galón. (4 a 5 granos/litro), deberás limpiar el sistema una vez cada 6 meses.

1. Asegúrate de que todo el hielo está fuera del evaporador. Si se está formando hielo, espera hasta completarse el ciclo y presiona el interruptor ON/OFF del panel de control de la máquina.
2. Saca todo el hielo del recipiente de almacenaje.
3. Mantén la máquina de hacer hielo conectada al suministro de agua. Vierte en el tanque 8 oz (227 gr) de la solución limpiadora de máquinas de hacer hielo, apta para superficies niqueladas. Presiona el interruptor ON/OFF y luego el botón CLEAN para iniciar el ciclo de lavado. La máquina funcionará en modo de limpieza automática.

4. Concede 30 minutos para limpiar bien. Después de limpiar, presiona de nuevo el interruptor ON/OFF. Usa una manguera de desagüe en el frente del tanque para drenar el agua residual hacia un recipiente conveniente. No dreses el agua residual hacia el interior del gabinete.
5. Repite los pasos 3 y 4 (sin la solución limpiadora) tres veces para enjuagar a fondo el sistema de hacer hielo.
6. A continuación prepara una solución desinfectante de 1 onza (28.5 gr) de blanqueador doméstico en 2 galones (7.6 l) de agua caliente (95°F – 115°F = 35°C - 46°C). Llena con solución desinfectante un frasco rociador y rocía todas las esquinas y bordes para garantizar que la solución cubra todas las superficies. Limpia el recipiente completo por dentro y por fuera, cubriendo toda la superficie de las paredes. Deja que la solución permanezca al menos 3 minutos en contacto con las superficies antes de secar.
7. Repite los pasos del 1 al 5 con la solución sanitaria del paso 6 (blanqueador y agua). Llena la canaleta de agua al máximo nivel.
8. Repite los pasos 3 y 4 para enjuagar una vez más el sistema de hacer hielo.
9. Presiona de nuevo el botón ON/OFF. La máquina retornará al modo regular de hacer hielo. Desecha el primer lote de hielo.

ADVERTENCIA

El limpiador de máquinas de hace hielo contiene ácidos.

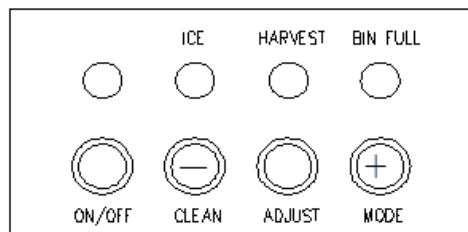
NO uses ni mezcles con cualquier otro producto limpiador a base de solvente. Usa guantes de hule para proteger las manos.

Lee cuidadosamente las instrucciones de seguridad en el envase del limpiador para la máquina de hacer hielo.

Desecha el primer lote de hielo producido después de la limpieza.

PANEL DE CONTROL

**MIM50V / MIM50 / MIM50P
/ MIM50P-O**
Puerta interior frontal



MIM50-O
Puerta interior frontal



MIM50-O
Parte posterior
(Detrás del panel de acceso)



Descripción de LEDs y botones

1. **Recipiente lleno (LED roja):** Luz indicadora de recipiente lleno. Cuando está iluminada, el recipiente para guardar hielo está lleno o algo está bloqueando la sonda de recipiente lleno. La unidad dejará de funcionar. Al sacarse los cubos de hielo del recipiente de almacenaje y liberarse así la sonda de recipiente lleno, la LED roja parpadeará por 3 minutos y la unidad volverá a arrancar y retornará al modo de hacer hielo.
2. **LED verde (Haciendo hielo):** Luz indicadora de hacer hielo. Cuando está iluminada, la unidad está operando en el modo de hacer hielo, controlado por un sensor de temperatura.
3. **Recolección de hielo (LED amarilla):** Luz indicadora de recolección de hielo. Cuando está iluminada, la unidad está operando en el modo de recolectar hielo, controlado por la sonda del recipiente lleno.
4. **Botón para modo:** Principalmente para mantenimiento. Cuando se presiona, cambia del modo de hacer hielo al de recolectarlo o viceversa. El modo puede determinarse con el estado de las LEDs verde y amarilla.
5. **Botón de ajuste:** Para ser usado por un técnico de mantenimiento autorizado.

FUNCIONES PRINCIPALES

1. El procedimiento de funcionamiento es completamente automático.
2. Cuando el recipiente de almacenaje está lleno de cubos de hielo, la máquina deja automáticamente de hacerlo. Comienza a hacer hielo nuevamente cuando se retiran los cubos de hielo guardados.
3. Los diferentes colores de la pantalla LED indica varios modos de trabajo.
4. Una sonda sensible y un temporizador exacto mejoran el rendimiento de la máquina de hacer hielo.
5. La máquina tiene integrado un sistema de protección del compresor.

SOLUCIÓN DE PROBLEMAS

Problema	Causa posible	Corrección probable
La máquina de hacer hielo no funciona.	La máquina de hacer hielo está desconectada.	Conecta a la corriente la máquina de hacer hielo.
	El fusible se fundió.	Reemplaza el fusible. Si sucede de nuevo, llama al servicio para revisar si hay un cortocircuito en la unidad.
	El botón de electricidad de la máquina de hacer hielo está en posición OFF (apagado).	Lleva el botón de electricidad de la máquina de hacer hielo a la posición ON (encendido).
	El recipiente para guardar hielo está lleno.	Retira algunos cubos de hielo. Asegúrate de que la sonda de recipiente lleno está libre de hielo.
El agua no entra tras arrancar la máquina de hacer hielo.	El grifo para suministro del agua está cerrado.	Abre el grifo de suministro del agua.
	La tubería de suministro de agua no está bien conectada.	Vuelve a conectar la tubería de suministro de agua.
La máquina hace hielo, pero el recipiente no se llena.	El condensador pudiera estar sucio.	Limpia el condensador.
	El flujo de aire hacia la máquina de hacer hielo pudiera estar obstruido.	Revisa la instalación.
	Las temperaturas ambiente y del agua son altas, o la unidad está cerca de una fuente de calor.	Revisa la instalación.
Hay filtración de agua fuera de la unidad.	Un poco de agua cae al suelo al abrirse la puerta para sacar hielo del recipiente para guardarlo.	Condensación normal sobre la puerta o un poco de agua junto con el hielo. Ten cuidado al sacar el hielo.
	La conexión de suministro de agua tiene filtraciones.	Aprieta el acoplamiento. <i>Consulta Conectar la línea de agua.</i>
	La tubería de desagüe está más alta que la salida de desagüe. (Se aplica sólo a MIM50V/50/50-O. MIM50P/50P-O tiene bomba de desagüe)	Baja la tubería de desagüe.
Los cubos de hielo se forman parcialmente o son blancos en la parte inferior.	No hay suficiente agua en el tanque.	Comprueba si la presión de suministro de agua está por debajo de 15 psi (103 kPa).
		Comprueba si el suministro de agua o el filtro tienen flujo reducido.
		Verifica si hay filtraciones en el tanque.
Ruido durante la operación	Las patas no están niveladas y aseguradas.	Nivela y asegura la pata. <i>Consulta Nivelar la máquina de hacer hielo.</i>
	Algunos sonidos son normales.	<i>Consulta Sonidos normales.</i>
La máquina está haciendo hielo y se apaga de repente.	No circula corriente eléctrica.	Vuelve a conectar la línea de suministro de electricidad.
	La temperatura ambiental está fuera del rango establecido.	Corta la electricidad y deja desconectada la máquina de hacer hielo hasta que la temperatura retorne al rango establecido.
	El recipiente para guardar hielo está lleno.	Saca algunos cubos de hielo; asegurar que la sonda de recipiente lleno no tenga hielo.
La carcasa de la máquina de hacer hielo está electrificada	La línea a tierra no está en el enchufe.	Emplea un enchufe que cumpla con los requisitos de la conexión a tierra.
Frecuentemente se acumulan sedimentos dentro de la máquina.	El nivel de dureza del agua es demasiado alto.	Instala un dispositivo para suavizar o ablandar el agua frente a la entrada de agua.
Hay filtración en el recipiente para guardar hielo	El orificio de desagüe bajo el recipiente para guardar hielo está bloqueado.	Saca el recipiente para guardar hielo y limpia el orificio de desagüe.
	La manguera de desagüe está torcida o mal colocada por encima del fondo del recipiente para guardar hielo.	Revisa la manguera de desagüe para asegurarte de que el drenaje del agua no tenga restricciones.
Alarma. (Se aplica sólo a MIM50P y MIM50P-O)	Problema en bombear el agua hacia afuera.	Revisar la bomba de desagüe, el interruptor del nivel de agua y la tubería de desagüe.



For AUTHORIZED PARTS or TECHNICAL SERVICE, please contact:
Pour les PIÈCES AUTORISÉES ou un SERVICE TECHNIQUE, veuillez composer le :
Para PIEZAS AUTORIZADAS o SERVICIO TÉCNICO, llame al
1-877-368-2797 or | ou visiter le site | o visite Service@MaxxHelp.com

3355 Enterprise Avenue, Suite 160, Fort Lauderdale, FL 33331 USA
Phone | Téléphone | Teléfono: (954) 202-7419 • Website | Site Web | Sitio Web: MaximumFoodService.com